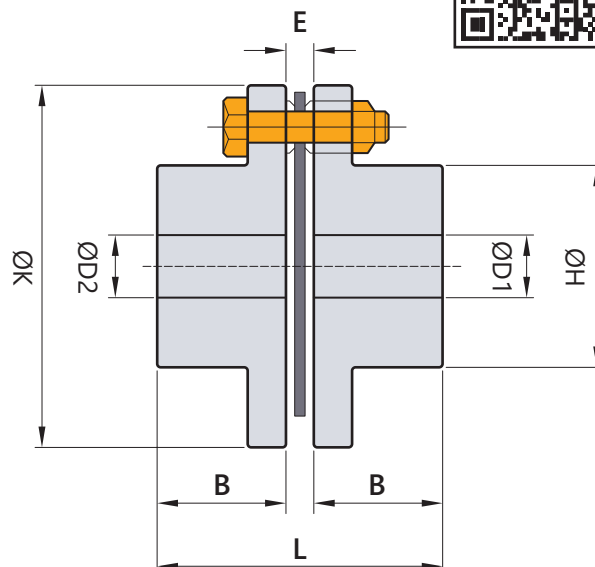
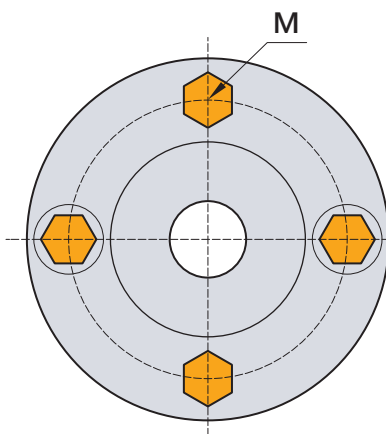


CM 一般型

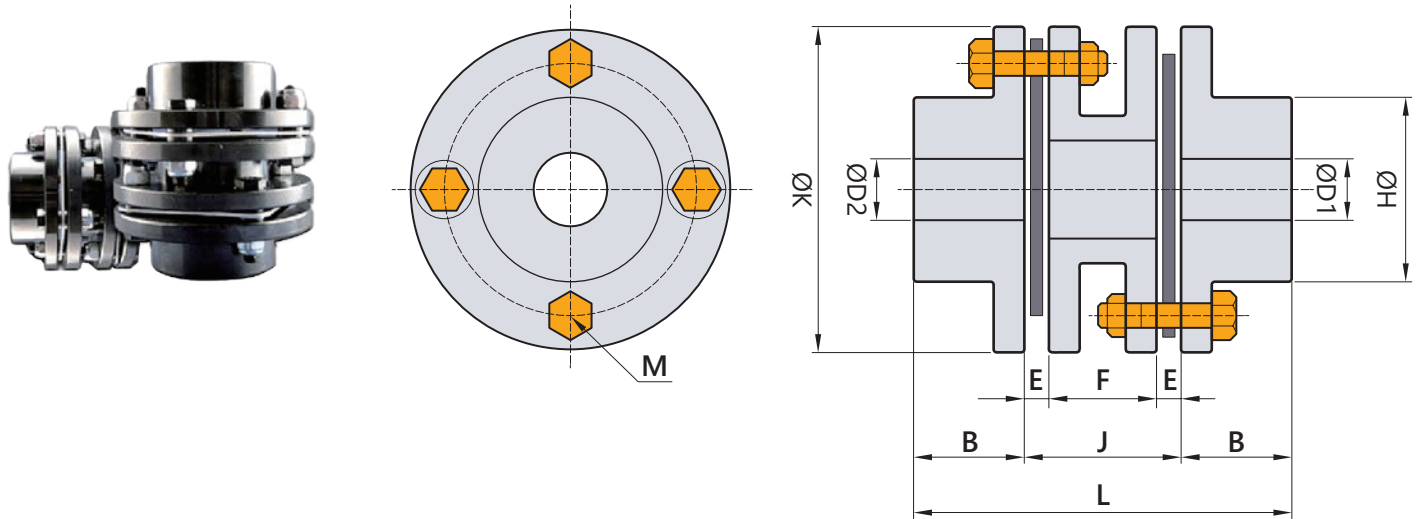


W : 間隔套
 JS : 加長型
 軸徑
 軸徑
CM-56 W N - D1 J × D2 P
 規格 中心種類
 N : 標準HUB
 K : 擴大HUB
 L : 延長HUB
 TB : 錐度HUB
 鍵槽溝
 C : 夾鉗式固定
 J : 鍵槽式
 P : Power Locker

| 型號 | D1×D2 公差 Tolerance (H8) | | H | K | B | E | L | M | 材質 |
|--------|-------------------------|-----|-----|-----|-------|------|-------|-----|------|
| | min | max | | | | | | | |
| CM-56 | 7 | 20 | 32 | 56 | 20 | 4.95 | 44.95 | M5 | S45C |
| CM-68 | 10 | 25 | 38 | 68 | 25 | 5.25 | 55.25 | M6 | S45C |
| CM-82 | 12 | 35 | 52 | 82 | 25 | 8.8 | 58.8 | M6 | S45C |
| CM-94 | 12 | 40 | 56 | 94 | 30 | 9.4 | 69.4 | M8 | S45C |
| CM-105 | 12 | 42 | 66 | 105 | 33 | 10 | 76 | M8 | S45C |
| CM-128 | 25 | 50 | 78 | 128 | 40 | 11 | 91 | M10 | S45C |
| CM-144 | 30 | 55 | 90 | 144 | 45 | 11.6 | 101.6 | M10 | S45C |
| CM-168 | 35 | 70 | 105 | 168 | 57.2 | 16.8 | 131.2 | M14 | S45C |
| CM-194 | 40 | 80 | 118 | 194 | 64.5 | 15 | 144 | M16 | S45C |
| CM-214 | 45 | 95 | 137 | 214 | 76.2 | 21.6 | 174 | M16 | S45C |
| CM-246 | 50 | 110 | 156 | 246 | 88.9 | 23.9 | 201.7 | M20 | S45C |
| CM-276 | 70 | 120 | 169 | 276 | 101.6 | 27.2 | 230.4 | M24 | S45C |

| 型號 | 常用扭力 (N.m) | 軸向位移 (mm) | 偏角 (°) | 最高轉速 (rpm) | 彈簧定數 (N.m/rad) | 軸向彈簧定數 (kgf/mm) | 慣性矩 (kg.m ²) |
|--------|------------|-----------|--------|------------|----------------------|-----------------|--------------------------|
| CM-56 | 20 | ±0.8 | ±1 | 20000 | 1.96×10 ⁴ | 7 | 1.23×10 ⁴ |
| CM-68 | 45 | ±0.8 | ±1 | 20000 | 2.45×10 ⁴ | 4.1 | 2×10 ⁴ |
| CM-82 | 95 | ±1.0 | ±1 | 17000 | 8.82×10 ⁴ | 6 | 6×10 ⁴ |
| CM-94 | 175 | ±1.2 | ±1 | 15000 | 15.7×10 ⁴ | 13 | 13×10 ⁴ |
| CM-105 | 245 | ±1.4 | ±1 | 12000 | 25.5×10 ⁴ | 16 | 22×10 ⁴ |
| CM-128 | 440 | ±1.6 | ±1 | 10000 | 44.1×10 ⁴ | 22.3 | 56×10 ⁴ |
| CM-144 | 780 | ±1.8 | ±1 | 10000 | 78.4×10 ⁴ | 31.3 | 110×10 ⁴ |
| CM-168 | 1270 | ±2.5 | ±1 | 10000 | 14.7×10 ⁴ | 36.2 | 270×10 ⁴ |
| CM-194 | 2060 | ±2.7 | ±1 | 8000 | 22.5×10 ⁴ | 45 | 520×10 ⁴ |
| CM-214 | 3330 | ±3.3 | ±1 | 7500 | 32.3×10 ⁴ | 48 | 880×10 ⁴ |
| CM-246 | 5290 | ±3.8 | ±1 | 3400 | 43.1×10 ⁴ | 56 | 1750×10 ⁴ |
| CM-276 | 6860 | ±4.0 | ±1 | 3100 | 58.8×10 ⁴ | 60 | 3250×10 ⁴ |

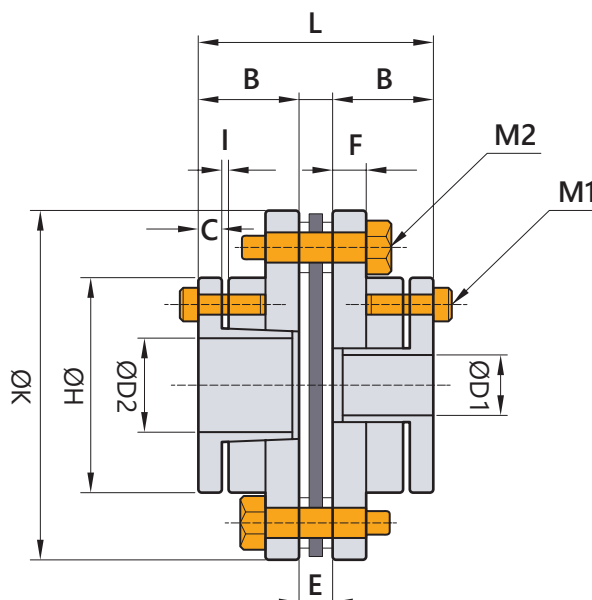
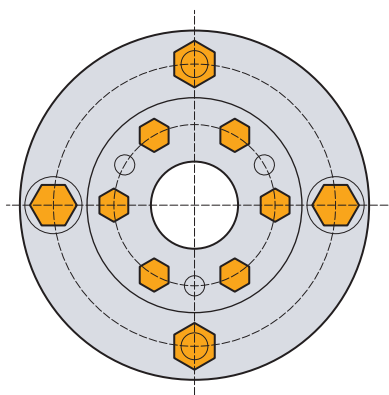
CM-W 間隔套型



| 型號 | D1×D2/公差 Tolerance (H8) | | H | K | B | E | F | J | L | M |
|-------|----------------------------|-----|-----|-----|-------|------|------|------|-------|-----|
| | min | max | | | | | | | | |
| 68-W | 10 | 25 | 38 | 68 | 25 | 5.25 | 23.8 | 34.3 | 84.3 | M6 |
| 82-W | 12 | 35 | 52 | 82 | 25 | 8.8 | 25.8 | 43.4 | 93.4 | M6 |
| 94-W | 12 | 40 | 56 | 94 | 30 | 9.4 | 30.4 | 49.2 | 109.2 | M8 |
| 105-W | 12 | 42 | 66 | 105 | 33 | 10 | 30.6 | 50.6 | 116.6 | M8 |
| 128-W | 25 | 50 | 78 | 128 | 40 | 11 | 38.6 | 60.6 | 140.6 | M10 |
| 144-W | 30 | 55 | 90 | 144 | 45 | 11.6 | 45.6 | 68.8 | 158.8 | M10 |
| 168-W | 35 | 70 | 105 | 168 | 57.2 | 16.8 | 44.4 | 78 | 192.4 | M14 |
| 194-W | 40 | 80 | 118 | 194 | 64.5 | 15 | 55 | 85 | 214 | M16 |
| 214-W | 45 | 95 | 137 | 214 | 76.2 | 21.6 | 53.8 | 97 | 249.4 | M16 |
| 246-W | 50 | 110 | 156 | 246 | 88.9 | 23.9 | 61.2 | 109 | 286.8 | M20 |
| 276-W | 70 | 120 | 169 | 276 | 101.6 | 27.2 | 79.6 | 134 | 337.2 | M24 |

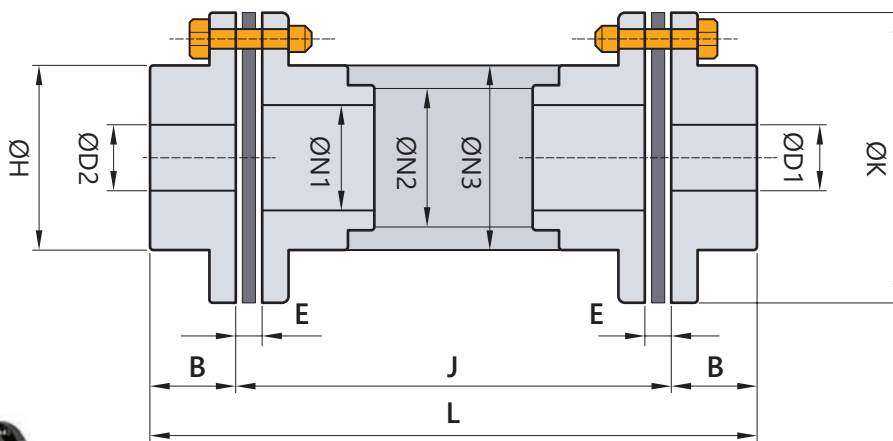
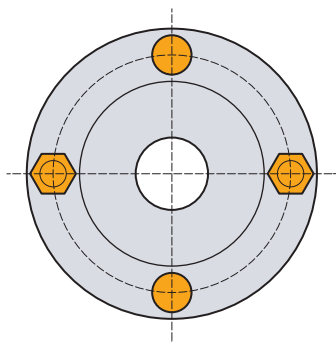
| 型號 | 常用扭力 (N.m) | 最高轉速 (rpm) | 本體最大軸徑 (mm) | | | 彈簧定數 (N.m/rad) |
|-------|---------------|---------------|-------------|------|------|----------------------|
| | | | 標準 N | 延長 L | 擴大 K | |
| 68-W | 45 | 20000 | 25 | 25 | 30 | 1.18×10 ⁴ |
| 82-W | 95 | 20000 | 35 | 35 | 40 | 3.92×10 ⁴ |
| 94-W | 175 | 18000 | 40 | 40 | 42 | 7.84×10 ⁴ |
| 105-W | 245 | 15000 | 42 | 42 | 48 | 12.7×10 ⁴ |
| 128-W | 440 | 13000 | 50 | 50 | 60 | 21.6×10 ⁴ |
| 144-W | 780 | 12000 | 55 | 55 | 70 | 39.2×10 ⁴ |
| 168-W | 1270 | 10000 | 70 | 70 | 80 | 73.5×10 ⁴ |
| 194-W | 2060 | 8000 | 80 | 80 | 90 | 11.3×10 ⁵ |
| 214-W | 3330 | 7500 | 95 | 95 | 110 | 16.2×10 ⁵ |
| 246-W | 5290 | 3400 | 110 | 110 | 120 | 21.4×10 ⁵ |
| 276-W | 6860 | 3100 | 120 | 120 | 130 | 29.1×10 ⁵ |

CM-TB 錐套式



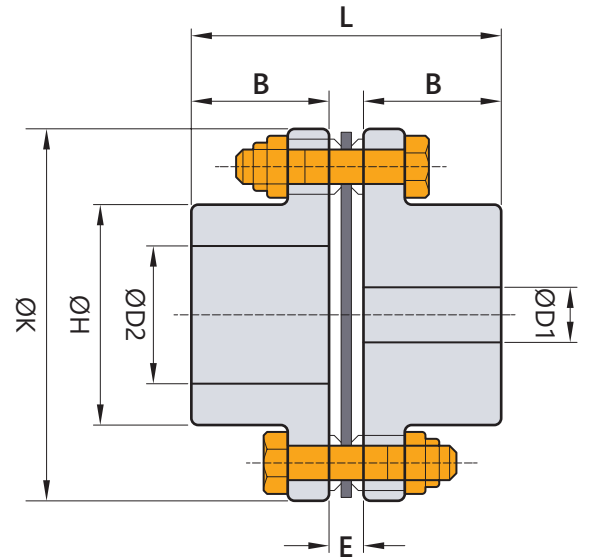
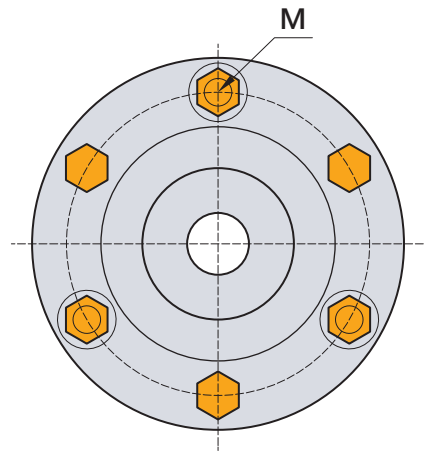
| 型號 | D1xD2/公差 Tolerance (H8) | | H | K | B | E | I | C | L | M1 | M2 |
|--------|----------------------------|--------|--------|-----|-------|------|---|----|-------|-----|-----|
| | min | max | | | | | | | | | |
| 68-TB | 10 | 18-K25 | 38-K48 | 68 | 34 | 5.25 | 3 | 6 | 73.25 | M5 | M6 |
| 82-TB | 14 | 28-K35 | 52-K62 | 82 | 35 | 8.8 | 3 | 7 | 78.8 | M6 | M6 |
| 94-TB | 14 | 32-K40 | 56-K69 | 94 | 40 | 9.4 | 3 | 7 | 89.4 | M6 | M8 |
| 105-TB | 20 | 42-K45 | 66-K74 | 105 | 44 | 10 | 3 | 8 | 98 | M6 | M8 |
| 128-TB | 25 | 45-K50 | 78-K85 | 128 | 53 | 11 | 4 | 9 | 117 | M8 | M10 |
| 144-TB | 30 | 55 | 90 | 144 | 60 | 11.6 | 5 | 10 | 131.6 | M8 | M10 |
| 168-TB | 35 | 70 | 105 | 168 | 72.2 | 16.8 | 5 | 10 | 161.2 | M8 | M14 |
| 194-TB | 40 | 75 | 118 | 194 | 81.5 | 15 | 6 | 11 | 178 | M10 | M16 |
| 214-TB | 45 | 90 | 137 | 214 | 93.2 | 21.6 | 6 | 11 | 208 | M12 | M16 |
| 246-TB | 50 | 105 | 156 | 246 | 106.9 | 23.9 | 6 | 12 | 237.7 | M14 | M20 |
| 276-TB | 70 | 115 | 169 | 276 | 120.6 | 27.2 | 6 | 13 | 268.4 | M16 | M24 |

CM-JS 加長型



| 型號 | D1 x D2 最大軸徑 | H | K | B | E | J | N1 | N2 | N3 | L | 常用扭力 (N.m) | 容許角度偏差 Allowable Angular Error | |
|--------|-----------------|-----|-----|-------|------|-----------------------|-----|------|------|------|---------------|--------------------------------------|------------------|
| | | | | | | | | | | | | 偏角 (o) | 軸向 位移 (mm) |
| 68-JS | 25 | 38 | 68 | 25 | 5.25 | 最長需求 Max 6000mm | 28 | 33 | 38 | 2B+J | 45 | 2 | ±1.6 |
| 82-JS | 35 | 52 | 82 | 25 | 8.8 | | 38 | 44.8 | 50.8 | | 95 | 2 | ±2.0 |
| 94-JS | 40 | 56 | 94 | 30 | 9.4 | | 43 | 48 | 54 | | 175 | 2 | ±2.4 |
| 105-JS | 42 | 66 | 105 | 33 | 10 | | 45 | 59 | 65 | | 245 | 2 | ±2.8 |
| 128-JS | 50 | 78 | 128 | 40 | 11 | | 55 | 68.3 | 76.3 | | 440 | 2 | ±3.2 |
| 144-JS | 55 | 90 | 144 | 45 | 11.6 | | 60 | 79 | 89 | | 780 | 2 | ±3.6 |
| 168-JS | 70 | 105 | 168 | 57.2 | 16.8 | | 75 | 95 | 105 | | 1270 | 2 | ±5.0 |
| 194-JS | 80 | 118 | 194 | 64.5 | 15 | | 85 | 102 | 114 | | 2060 | 2 | ±5.4 |
| 214-JS | 95 | 137 | 214 | 76.2 | 21.6 | | 100 | 121 | 133 | | 3330 | 2 | ±6.6 |
| 246-JS | 110 | 156 | 246 | 88.9 | 23.9 | | 105 | 132 | 152 | | 5290 | 2 | ±7.6 |
| 276-JS | 120 | 169 | 276 | 101.6 | 27.2 | | 125 | 148 | 168 | | 6860 | 2 | ±8.0 |

CM-6P 高剛性鋼片型



| 型號 | D1×D2/公差 Tolerance (H8) | | H | K | B | E | L | M |
|-----------|----------------------------|-----|-----|-----|-------|------|-------|-----|
| | min | max | | | | | | |
| CM-102-6P | 12 | 42 | 66 | 102 | 33 | 10 | 76 | M8 |
| CM-128-6P | 25 | 50 | 78 | 128 | 40 | 11 | 91 | M10 |
| CM-144-6P | 30 | 55 | 90 | 144 | 45 | 11.6 | 101.6 | M10 |
| CM-168-6P | 35 | 70 | 105 | 168 | 57.2 | 16.8 | 131.2 | M14 |
| CM-180-6P | 30 | 85 | 116 | 180 | 60 | 15 | 136 | M16 |
| CM-214-8P | 40 | 80 | 118 | 214 | 76.2 | 21.6 | 174 | M20 |
| CM-246-8P | 50 | 110 | 156 | 246 | 88.9 | 23.9 | 201.7 | M24 |
| CM-276-8P | 70 | 120 | 169 | 276 | 101.6 | 27.2 | 230.4 | M24 |

| 型號 | 常用扭力 (N.m) | 軸向位移 (mm) | 偏角(o) | 最高轉速 (rpm) | 扭轉剛性 (kgf-m/rad) | 軸向彈 簧定數 (kgf/mm) | 慣性矩 (kg.m ²) |
|-----------|---------------|--------------|-------|---------------|----------------------|------------------------|-----------------------------|
| CM-102-6P | 30 | ±1.4 | ±1 | 30000 | 0.30×10 ⁵ | 8.5 | 0.05 |
| CM-128-6P | 50 | ±1.6 | ±1 | 25000 | 0.45×10 ⁵ | 11.1 | 0.10 |
| CM-144-6P | 85 | ±1.8 | ±1 | 22000 | 0.65×10 ⁵ | 15.6 | 0.10 |
| CM-168-6P | 175 | ±2.0 | ±1 | 19000 | 0.94×10 ⁵ | 28 | 0.14 |
| CM-180-6P | 350 | ±2.0 | ±1 | 17000 | 1.61×10 ⁵ | 47.7 | 0.26 |
| CM-214-8P | 650 | ±2.1 | ±1 | 15000 | 3.51×10 ⁵ | 42.9 | 0.65 |
| CM-246-8P | 900 | ±2.1 | ±1 | 13000 | 6.21×10 ⁵ | 58.9 | 1.24 |
| CM-276-8P | 1200 | ±2.1 | ±1 | 11600 | 5.66×10 ⁵ | 85.7 | 1.80 |