

SC Precision Type (2 SECTIONS)

Product No	Allowable variable	Allowable rotation	Allowable Action angle	Allowable Torque	Static Torque	Static Tensile load	GD ²	Weight
MODEL		min ⁻¹	°	N • m	N • m	N	kg.cm ²	g
SC-03-00A	8,000	4,000	30°	0.13	0.4	680	0.001	5
SC-04-00A	13,000	3,300	30°	0.96	2.6	1,200	0.003	8
SC-05-01A	21,000	2,800	30°	3.23	9.8	2,000	0.007	12
SC-06-※※	32,000	2,500	30°	5.3	16	5,300	0.015	15
SC-08-※※	48,000	2,200	30°	11.6	35	7,840	0.044	30
SC-10-※※	80,000	2,000	30°	27.4	83	13,000	0.13	55
SC-12-※※	121,000	1,800	30°	46	140	23,000	0.35	110
SC-14-※※	151,000	1,600	30°	66	200	26,000	0.67	155
SC-16-※※	200,000	1,400	30°	102	310	39,000	1.5	260
SC-18-※※	232,000	1,200	30°	132	400	44,000	2.3	345
SC-20-※※	273,000	1,000	30°	175	530	52,000	3.6	465
SC-22-※※	344,000	900	30°	251	760	68,000	5.9	630
SC-25-※※	406,000	800	30°	330	1,000	81,000	9.7	790
SC-30-※※	531,000	700	30°	495	1,500	100,000	20	1,160
SC-35-※※	711,000	600	30°	792	2,400	140,000	41	2,255
SC-40-※※	918,000	500	30°	1,188	3,600	180,000	77	2,730
SC-45-※※	1,150,000	400	30°	1,584	4,800	220,000	130	4,350
SC-50-※※	1,400,000	300	30°	1,914	5,800	280,000	220	5,200

SD Precision Type (3 SECTIONS)

Product No	Allowable variable	Allowable rotation	Allowable Action angle (one-sided)	Allowable Torque	Static Torque	Static Tensile load	GD ²	Weight
MODEL		min ⁻¹	°	N • m	N • m	N	kg.cm ²	g
SD-06-※※	32,000	2,500	30°	3.96	12	5,300	0.029	30
SD-08-※※	48,000	2,200	30°	8.58	26	7,840	0.069	50
SD-10-※※	80,000	2,000	30°	20.1	61	13,000	0.21	95
SD-12-※※	121,000	1,800	30°	33	100	23,000	0.55	180
SD-14-※※	151,000	1,600	30°	46	140	26,000	1.0	250
SD-16-※※	200,000	1,400	30°	76	230	39,000	2.3	410
SD-18-※※	232,000	1,200	30°	96	290	44,000	3.7	550
SD-20-※※	273,000	1,000	30°	129	390	52,000	5.7	690
SD-22-※※	344,000	900	30°	185	560	68,000	9.1	940
SD-25-※※	406,000	800	30°	248	750	81,000	15	1,240
SD-30-※※	531,000	700	30°	363	1,100	100,000	31	1,775
SD-35-※※	711,000	600	30°	594	1,800	140,000	75	3,180
SD-40-※※	918,000	500	30°	891	2,700	180,000	120	4,150
SD-45-※※	1,150,000	400	30°	1155	3,500	220,000	210	6,225
SD-50-※※	1,400,000	300	30°	1419	4,300	280,000	340	7,750

Angle	5° under	10°	15°	20°	25°	30°
Angle Coefficient	1.00	1.05	1.18	1.43	1.82	2.50

NC Economic Type (2 SECTIONS)

Product No	Allowable variable	Allowable rotation	Allowable Action angle	Allowable Torque	Static Torque	Static Tensile load	GD ²	Weight
MODEL		min-1	°	N • m	N • m	N	kg.cm ²	g
NC-06-00	28,000	1,800	30°	5.3	16	5,300	0.015	15
NC-08-00	42,000	1,500	30°	11.6	35	7,840	0.044	30
NC-10-00	70,000	1,300	30°	27.4	83	13,000	0.13	55
NC-12-00	106,000	1,100	30°	46	140	23,000	0.35	110
NC-14-00	133,000	1,000	30°	66	200	26,000	0.67	155
NC-16-00	175,000	900	30°	102	310	39,000	1.5	260
NC-18-00	203,000	800	30°	132	400	44,000	2.3	345
NC-20-00	239,000	700	30°	175	530	52,000	3.6	465
NC-22-00	302,000	650	30°	251	760	68,000	5.9	630
NC-25-00	356,000	600	30°	330	1,000	81,000	9.7	790
NC-30-00	465,000	550	30°	495	1,500	100,000	20	1,160

ND Economic Type (3 SECTIONS)

Product No	Allowable variable	Allowable rotation	Allowable Action angle (one-sided)	Allowable Torque	Static Torque	Static Tensile load	GD ²	Weight
MODEL		min-1	°	N • m	N • m	N	kg.cm ²	g
ND-06-00	28,000	1,800	30°	3.96	12	5,300	0.029	30
ND-08-00	42,000	1,500	30°	8.58	26	7,840	0.069	50
ND-10-00	70,000	1,300	30°	20.1	61	13,000	0.21	95
ND-12-00	106,000	1,100	30°	33	100	23,000	0.55	180
ND-14-00	133,000	1,000	30°	46	140	26,000	1.0	250
ND-16-00	175,000	900	30°	76	230	39,000	2.3	410
ND-18-00	203,000	800	30°	96	290	44,000	3.7	550
ND-20-00	239,000	700	30°	129	390	52,000	5.7	690
ND-22-00	302,000	650	30°	185	560	68,000	9.1	940
ND-25-00	356,000	600	30°	248	750	81,000	15	1,240
ND-30-00	465,000	550	30°	363	1,100	100,000	31	1,775

Angle	5° under	10°	15°	20°	25°	30°
Angle Coefficient	1.00	1.05	1.18	1.43	1.82	2.50

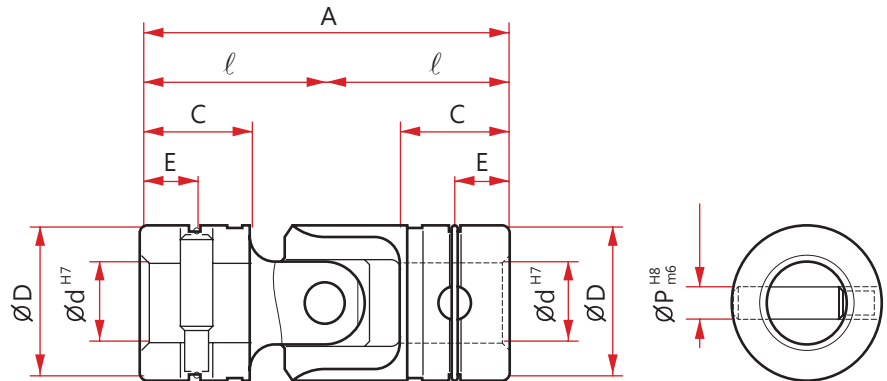
Universal Joint

SC Precision Type (2 SECTIONS)

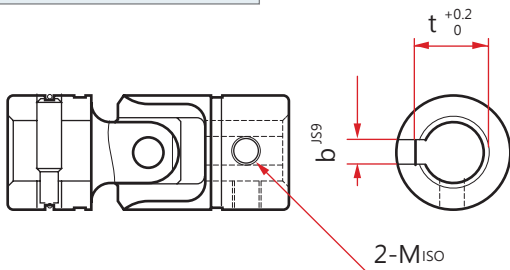
SC--00A** $\phi 3\sim 50$

ACCESSORIES

- Heavy duty set pin 1 pc
- knock pin 1 pc
- Ring spring 2 pcs
- No additional processing



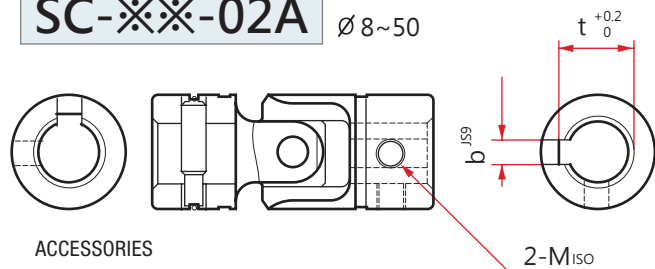
SC--01A** $\phi 8\sim 50$



ACCESSORIES

- Heavy duty set pin 1 pc
- Ring spring 2 pcs
- No additional processing

SC--02A** $\phi 8\sim 50$

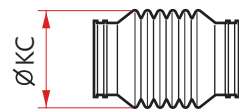


ACCESSORIES

- Ring spring 2 pcs
- No additional processing

SC--**C**

Origami Bellows cover with grease



$\phi 35$ above Origami Bellows cover

Product No	d	D	LC	l	C	E	P	b	t	M	KC
SC-03-00A	3	6	26	13	9	2.5	1	-	-	-	-
SC-04-00A	4	8	24	12	7	4	1.5	-	-	-	-
SC-05-00A	5	10	30	15	9	5	2	-	-	-	-
SC-06-**-A	6	12	31	15.5	9	4.5	3	-	-	3	-
SC-08-**-A	8	15	36	18	10	5	3.5	-	-	3	25
SC-10-**-A	10	19	42	21	12	6	4.5	4	11.5	5	32
SC-12-**-A	12	23	52	26	15	7.5	5	4	13.5	5	35
SC-14-**-A	14	26	59	29.5	17	8.5	5.8	5	16	6	40
SC-16-**-A	16	30	74	37	22	11	6.5	5	18	6	46
SC-18-**-A	18	33	81	40.5	23.5	11.75	7	5	20	6	52
SC-20-**-A	20	36	87	43.5	25	12.5	8	5	22	6	58
SC-22-**-A	22	40	94	47	27	13.5	9	7	25	6	62
SC-25-**-A	25	44	105	52.5	30	15	10	7	28	8	68
SC-30-**-A	30	51	122	61	35	17.5	11.5	7	33	8	82
SC-35-**-A	35	59	140	70	40	20	13	10	38.5	10	90
SC-40-**-A	40	67	157	78.5	45	22.5	14.5	10	43.5	10	100
SC-45-**-A	45	75	176	88	50	25	16	12	48.5	10	110
SC-50-**-A	50	83	191	95.5	55	27.5	17.5	12	53.5	10	120

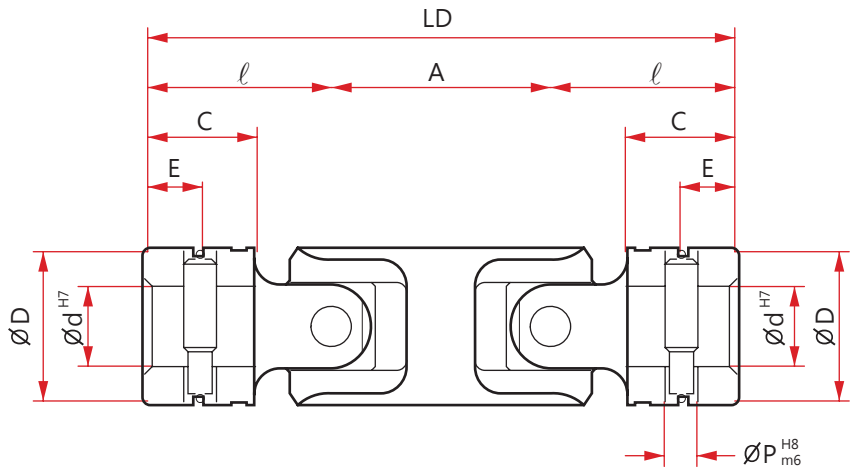
Universal Joint

SD Precision Type (3 SECTIONS)

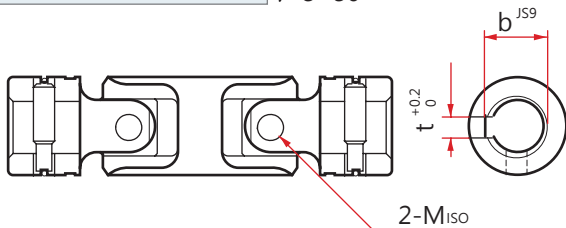
SD-*-00A** $\varnothing 6\sim 50$

ACCESSORIES

- Heavy duty set pin 1 pc
- knock pin 1 pc
- Ring spring 2 pcs
- No additional processing



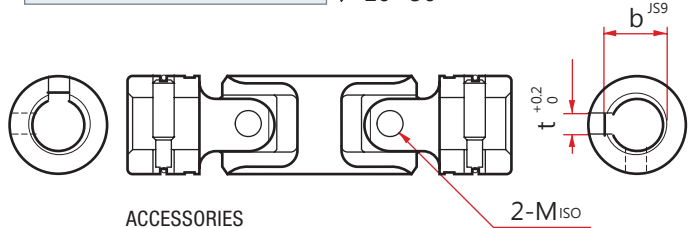
SD-*-01A** $\varnothing 8\sim 50$



ACCESSORIES

- Heavy duty set pin 1 pc
- Ring spring 2 pcs
- No additional processing

SD-*-02A** $\varnothing 10\sim 50$

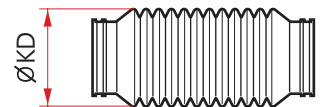


ACCESSORIES

- Ring spring 2 pcs
- No additional processing

SD-*-***C**

Origami Bellows cover with grease



$\varnothing 35$ above Origami Bellows cover

Product No	d	D	LD	A	l	C	E	P	b	t	M	KD
SD-06-***A	6	12	49.5	18.5	15.5	9	4.5	3	-	-	3	-
SD-08-***A	8	15	58	22	18	10	5	3.5	-	-	3	25
SD-10-***A	10	19	67.5	25.5	21	12	6	4.5	4	11.5	5	32
SD-12-***A	12	23	83	31	26	15	7.5	5	4	13.5	5	35
SD-14-***A	14	26	94.5	35.5	29.5	17	8.5	5.8	5	16	6	40
SD-16-***A	16	30	117.5	43.5	37	22	11	6.5	5	18	6	46
SD-18-***A	18	33	129	48	40.5	23.5	11.75	7	5	20	6	52
SD-20-***A	20	36	139	52	43.5	25	12.5	8	5	22	6	58
SD-22-***A	22	40	150	56	47	27	13.5	9	7	25	6	62
SD-25-***A	25	44	168	63	52.5	30	15	10	7	28	8	68
SD-30-***A	30	51	195	73	61	35	17.5	11.5	7	33	8	82
SD-35-***A	35	59	224	84	70	40	20	13	10	38.5	10	90
SD-40-***A	40	67	251	94	78.5	45	22.5	14.5	10	43.5	10	100
SD-45-***A	45	75	282	106	88	50	25	16	12	48.5	10	110
SD-50-***A	50	83	304	113	95.5	55	27.5	17.5	12	53.5	10	120

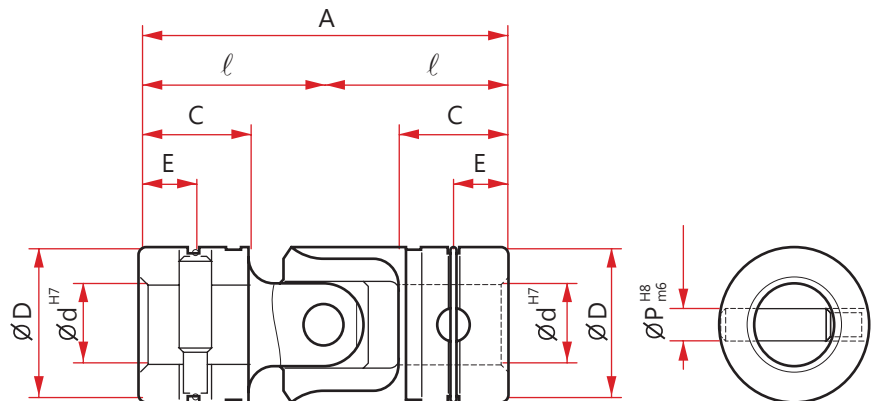
Universal Joint

NC Economic Type (2 SECTIONS)

NC-*-00A** $\varnothing 6\sim 30$

ACCESSORIES

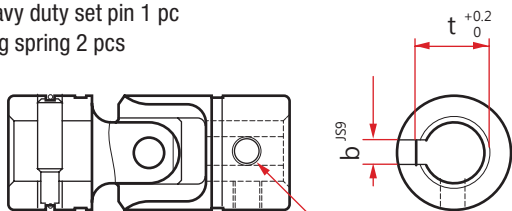
- Heavy duty set pin 1 pc
- knock pin 1 pc
- Ring spring 2 pcs
- No additional processing



NC-*-01A**

ACCESSORIES

- Heavy duty set pin 1 pc
- Ring spring 2 pcs

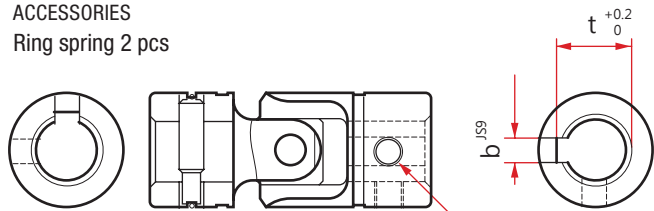


2-M_{iso}

NC-*-02A**

ACCESSORIES

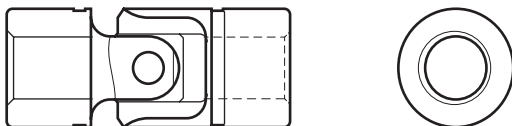
- Ring spring 2 pcs



2-M_{iso}

NC-*-05A**

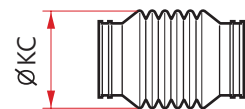
Non-hardening of the drive yoke body allows additional processing.



NC-*-***C**

Origami Bellows cover with grease

Attach:
Rubber cover Please instruct us in advance if request to attach the rubber cover.



Product No	d	D	LC	l	C	E	P	b	t	M	KC
NC-06-***	6	12	31	15.5	9	4.5	3	-	-	-	-
NC-08-***	8	15	36	18	10	5	3.5	-	-	-	25
NC-10-***	10	19	42	21	12	6	4.5	-	-	-	32
NC-12-***	12	23	52	26	15	7.5	5	4	13.5	5	35
NC-14-***	14	26	59	29.5	17	8.5	5.8	5	16	6	40
NC-16-***	16	30	74	37	22	11	6.5	5	18	6	46
NC-18-***	18	33	81	40.5	23.5	11.75	7	5	20	6	52
NC-20-***	20	36	87	43.5	25	12.5	8	5	22	6	58
NC-25-***	25	44	105	52.5	30	15	10	7	28	8	68
NC-30-***	30	51	122	61	35	17.5	11.5	7	33	8	82

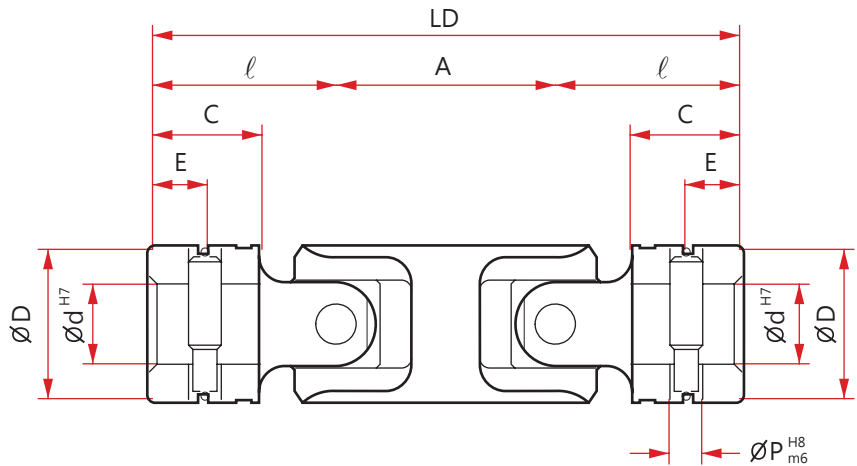
Universal Joint

ND Economic Type (3 SECTIONS)

ND-※※-00A $\phi 6\sim 30$

ACCESSORIES

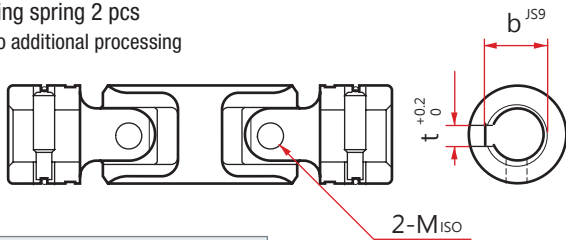
- Heavy duty set pin 1 pc
- knock pin 1 pc
- Ring spring 2 pcs
- No additional processing



ND-※※-01A

ACCESSORIES

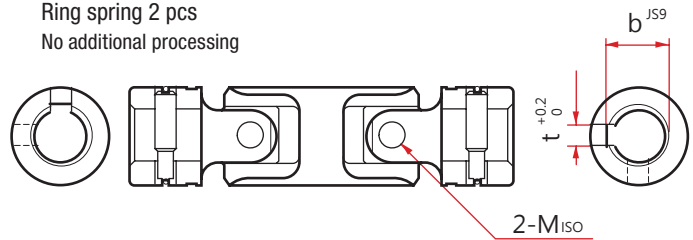
- Heavy duty set pin 1 pc
- Ring spring 2 pcs
- No additional processing



ND-※※-02A

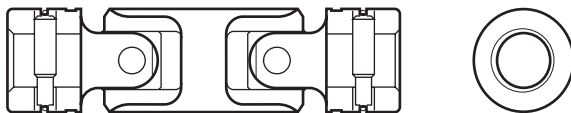
ACCESSORIES

- Ring spring 2 pcs
- No additional processing



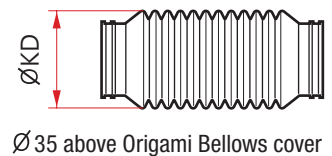
ND-※※-05A

Non-hardening of the drive yoke body allows additional processing.



ND-※※-※※C

Origami Bellows cover with grease

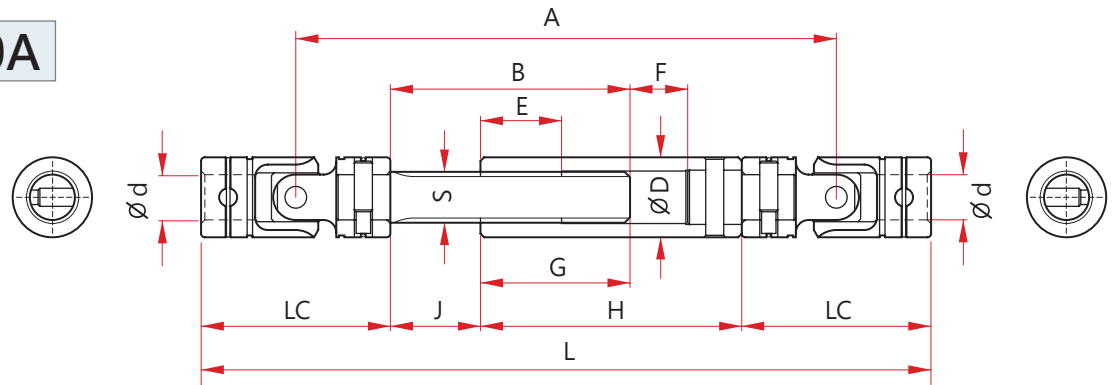


Product No	d	D	LD	A	l	C	E	P	b	t	M	KC
ND-06-※※※	6	12	49.5	18.5	15.5	9	4.5	3	-	-	-	-
ND-08-※※※	8	15	58	22	18	10	5	3.5	-	-	-	25
ND-10-※※※	10	19	67.5	25.5	21	12	6	4.5	-	-	-	32
ND-12-※※※	12	23	83	31	26	15	7.5	5	4	13.5	5	35
ND-14-※※※	14	26	94.5	35.5	29.5	17	8.5	5.8	5	16	6	40
ND-16-※※※	16	30	117.5	43.5	37	22	11	6.5	5	18	6	46
ND-18-※※※	18	33	129	48	40.5	23.5	11.75	7	5	20	6	52
ND-20-※※※	20	36	139	52	43.5	25	12.5	8	5	22	6	58
ND-25-※※※	25	44	168	63	52.5	30	15	10	7	28	8	68
ND-30-※※※	30	51	195	73	61	35	17.5	11.5	7	33	8	82

Universal Joint

SP Standard Type (With intermediate trough shaft)

SP-※※-00A



SP-※※-03A (JIS)



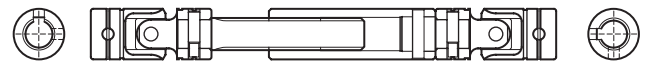
SP-※※-33A (JIS)



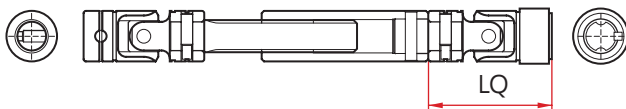
SP-※※-08A



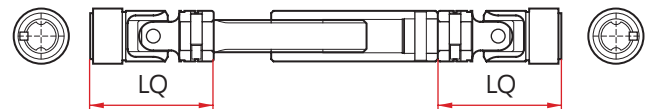
SP-※※-88A



SP-※※-09A



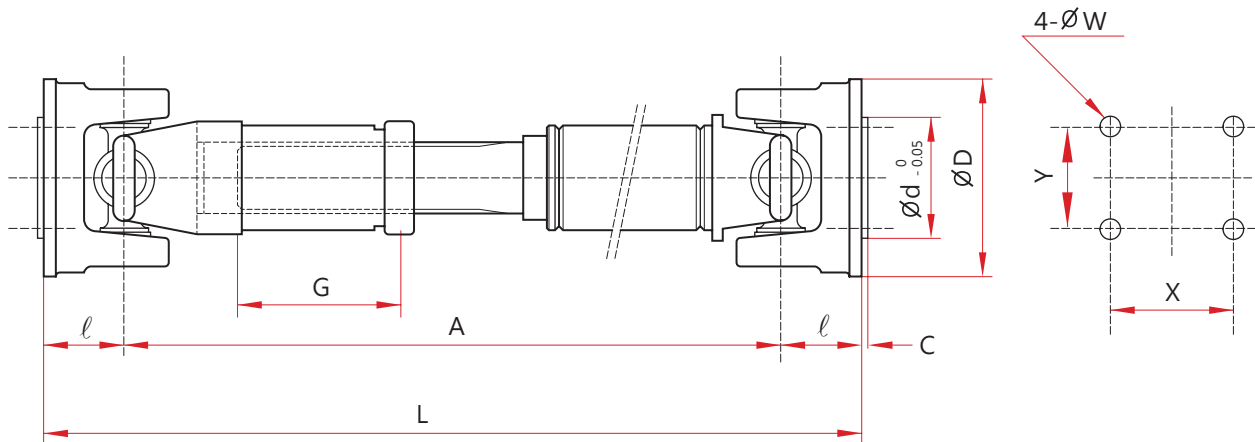
SP-※※-99A



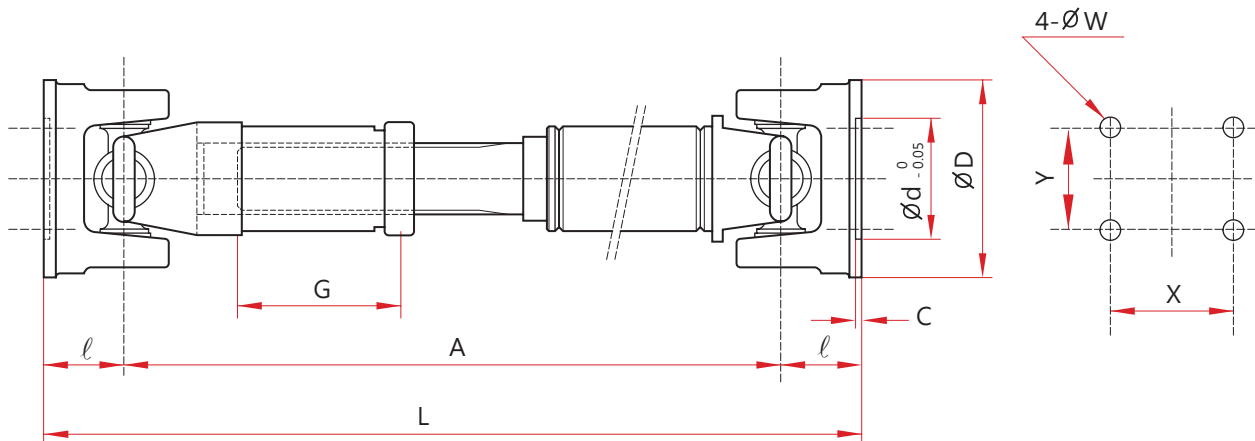
Product No	d	L	Tensile	A	B	Spline item S	E	LC	LQ	D	F	G	H	J
SP-08-※※A	8	163	$^{+19}_{-11}$	127	65	* Diameter=10 m=0.75 z=11	20	36	-	17	11	39	65	26
SP-08-09A	8	167	$^{+19}_{-11}$	129	65	* Diameter=10 m=0.75 z=11	20	36	38	17	13	37	65	28
SP-08-99A	8	169	$^{+19}_{-11}$	129	65	* Diameter=10 m=0.75 z=11	20	-	38	17	13	37	65	28
SP-10-※※A	10	177	$^{+19}_{-11}$	135	65	* Diameter=12 m=1.00 z=10	25	42	42	19	13	37	65	28
SP-12-※※A	12	225	$^{+19}_{-11}$	173	88	16 x 13 x 3.5 - 6	40	52	52	23	16	56	89	32
SP-14-※※A	14	240	$^{+19}_{-11}$	181	87	16 x 13 x 3.5 - 6	40	59	59	23	18	54	89	33
SP-16-※※A	16	308	$^{+19}_{-11}$	234	115	20 x 16 x 4 - 6	40	74	74	30	23	75	120	40
SP-18-※※A	18	327	$^{+19}_{-11}$	246	115	20 x 16 x 4 - 6	40	81	81	30	28	70	120	45
SP-20-※※A	20	344	$^{+19}_{-11}$	257	118	22 x 18 x 5 - 6	40	87	87	36	27	73	125	45
SP-22-※※A	22	360	$^{+19}_{-11}$	266	115	25 x 21 x 5 - 6	40	94	94	40	30	68	125	47
SP-25-※※A	25	405	$^{+19}_{-11}$	300	133	28 x 23 x 6 - 6	45	105	105	44	32	83	145	50
SP-30-※※A	30	464	$^{+19}_{-11}$	342	145	32 x 26 x 6 - 6	50	122	122	51	40	85	160	60
SP-35-※※A	35	515	$^{+19}_{-11}$	375	150	38 x 32 x 8 - 6	50	140	-	60	45	85	170	65
SP-40-※※A	40	574	$^{+19}_{-11}$	417	165	42 x 36 x 8 - 6	60	157	-	67	50	95	190	70
SP-45-※※A	45	637	$^{+19}_{-11}$	461	180	45 x 41 x 8 - 8	70	176	-	75	55	105	210	75
SP-50-※※A	50	697	$^{+19}_{-11}$	506	200	52 x 46 x 9 - 6	80	191	-	83	60	115	230	85

Universal Joint

KP Standard Type (Large Power Output)



Product No	Dimensions										Shaft Dia. D	Allowable Action angle (°)	Allowable Torque (N.m)
	d	C	L	Tensile	A	l	G	W	X	Y			
KP-04	60.2	1.5	353	+20 ~ -20	280	36.5	80	10.2	61	51	97	15°	400
KP-09	85	3	422	+20 ~ -20	350	46	115	12.2	86.5	72.5	134	15°	900
KP-20	90	5	624	+20 ~ -20	480	72	135	14.2	118	75	176	15°	2000

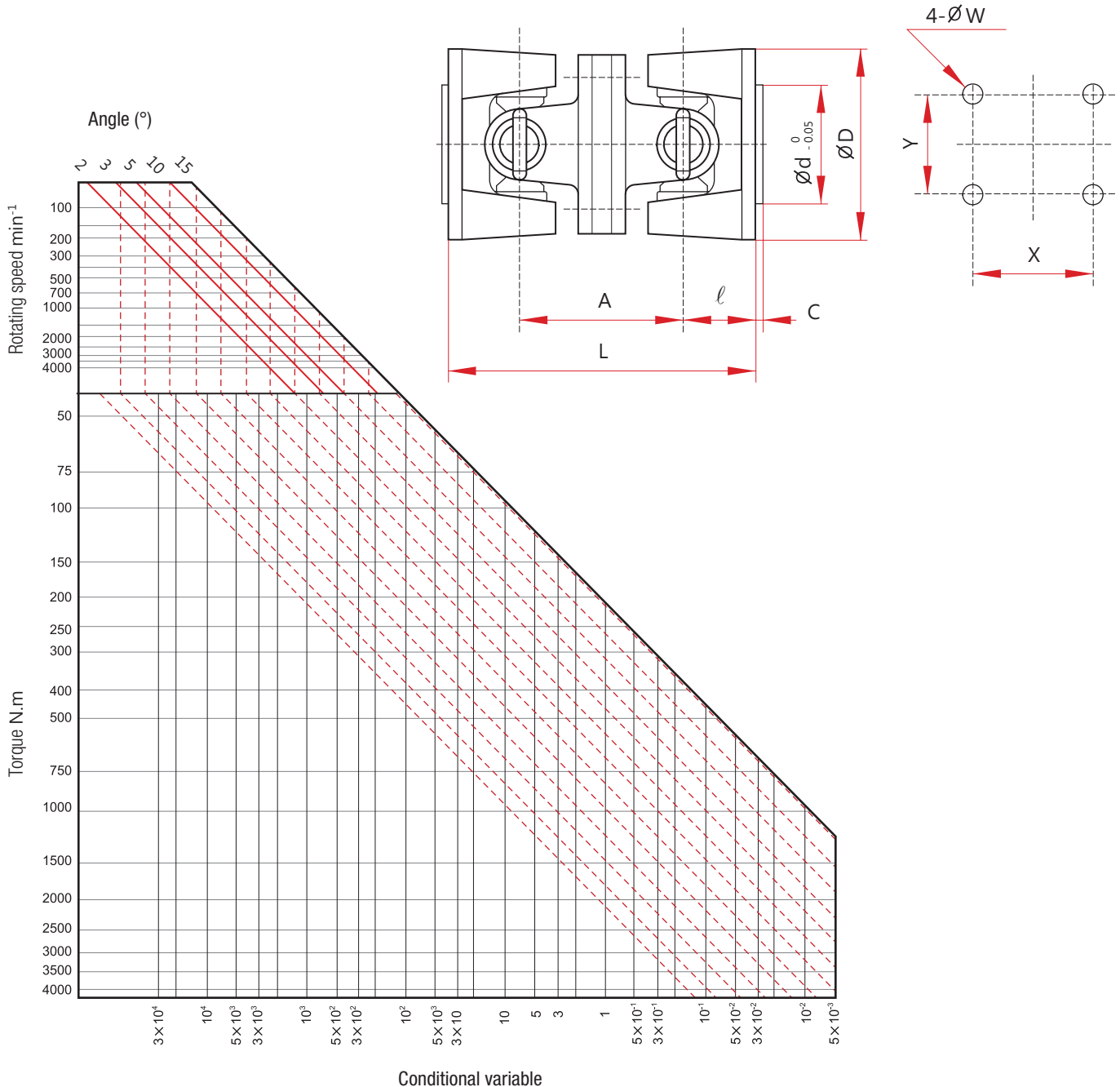


Product No	Dimensions										Shaft Dia. D	Allowable Action angle (°)	Allowable Torque (N.m)
	d	C	L	Tensile	A	l	G	W	X	Y			
KP-40	90	5	601	+20 ~ -20	450	75.5	140	16.2	134	104	206	15°	4000

Universal Joint

KD Standard Type (Double section type)

Product No	Dimensions								Shaft Dia. D	Allowable Action angle (°)	Allowable Torque (N.m)
	d	C	L	A	ℓ	W	X	Y			
KD-04	60.2	1.5	156	83	36.5	10.2	61	51	97	15°	400
KD-09	85	3	194	102	46	12.2	86.5	72.5	134	15°	900
KD-20	90	5	298	154	72	14.2	118	75	176	15°	2000



Product No	Size
KP-04	200
KP-09	4170
KP-20	18150
KP-40	194410

Life expectancy = Conditional variable Size constant

Example

The life expectancy of type FJ-42 under the following condition, refraction angle 10°, rotating speed 700 min⁻¹, torque 30 N.m.