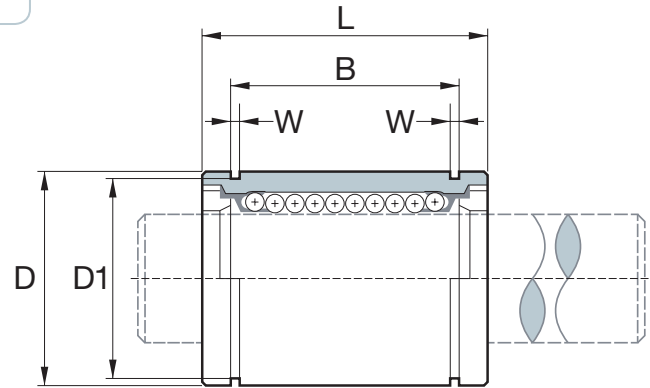
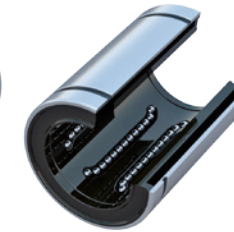


Part No **LM**



LM
Standard Type



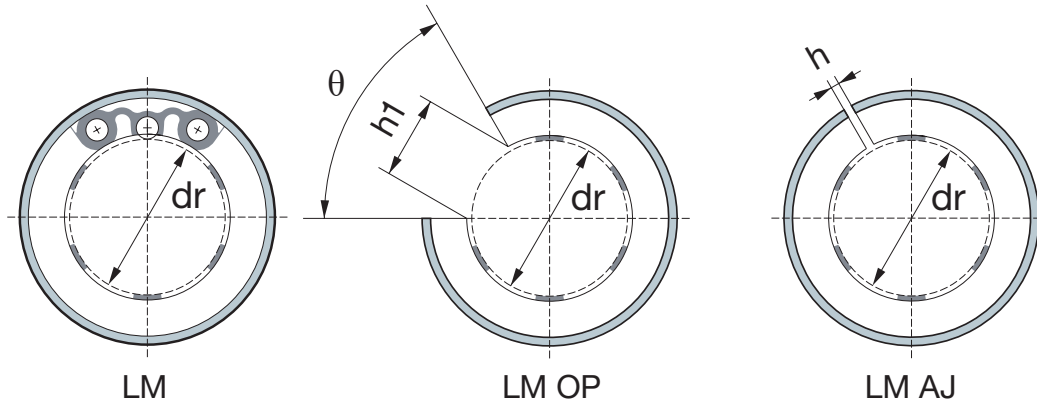
LM OP
Open Type



LM AJ
Clearance Adjustable Type

PRODUCT NUMBER						MAIN DIMENSIONS										
Model / Slide Bush type						dr mm	tolerance μm	D mm	tolerance μm	L mm	tolerance μm	B mm	tolerance μm	W mm	tolerance μm	D1 mm
Standard Type	Ball circuits	Open Type	Ball circuits	Clearance Adjustable Type	Ball circuits											
LM4	4	-	-	-	-	4	0	8	0	12	0	-	-	-	-	-
LM5UU	4	-	-	-	-	5	-8	10	-9	15	-120	10.2	1.1	9.6	9.6	
LM6UU	4	-	-	LM6UUAJ	4	6		12		19		13.5	1.1	11.5	11.5	
LM8SUU	4	-	-	LM8SUUAJ	4	8		15	0	17		11.5	1.1	14.3	14.3	
LM8UU	4	-	-	LM8UUAJ	4	8		15	-11	24		17.5	1.1	14.3	14.3	
LM10UU	4	-	-	LM10UUAJ	4	10	0	19		29		22	1.3	18	18	
LM12UU	4	LM12UU-OP	3	LM12UUAJ	4	12	-9	21	0	30	0	23	1.3	20	20	
LM13UU	4	LM13UU-OP	3	LM13UUAJ	4	13		23	-13	32		23	1.3	22	22	
LM16UU	5	LM16UU-OP	4	LM16UUAJ	5	16		28		37		26.5	1.6	27	27	
LM20UU	5	LM20UU-OP	4	LM20UUAJ	5	20		32		42		30.5	1.6	30.5	30.5	
LM25UU	6	LM25UU-OP	5	LM25UUAJ	6	25	0	40	0	59		41	1.85	38	38	
LM30UU	6	LM30UU-OP	5	LM30UUAJ	6	30	-10	45	-16	64		44.5	1.85	43	43	
LM35UU	6	LM35UU-OP	5	LM35UUAJ	6	35		52		70		49.5	2.1	49	49	
LM40UU	6	LM40UU-OP	5	LM40UUAJ	6	40	0	60	0	80	0	60.5	2.1	57	57	
LM50UU	6	LM50UU-OP	5	LM50UUAJ	6	50	-12	80	-19	100	-300	74	2.6	76.5	76.5	
LM60UU	6	LM60UU-OP	5	LM60UUAJ	6	60	0	90	0	110		85	3.15	86.5	86.5	

Part No **LM**



LM
Standard Type



LM OP
Open Type

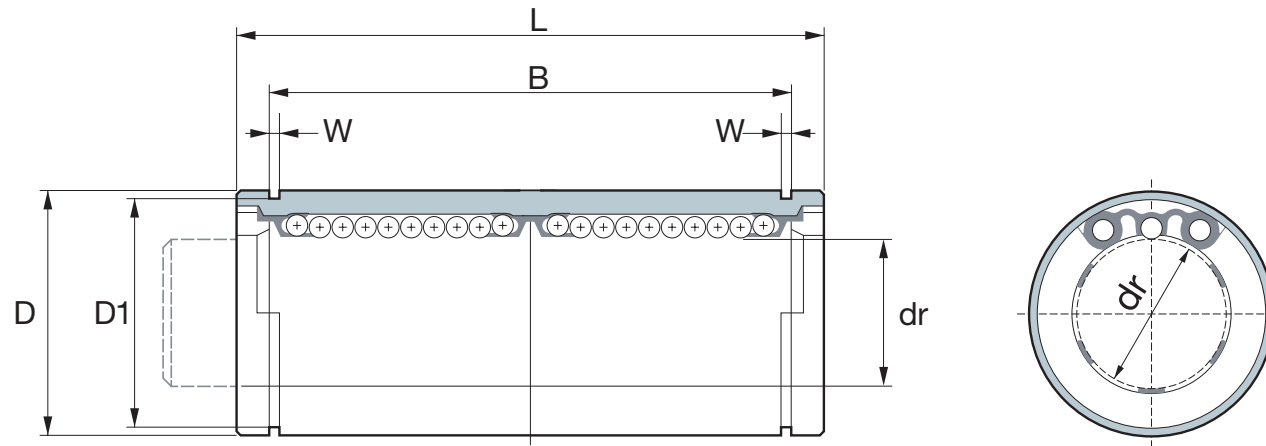


LM AJ
Clearance Adjustable Type

PRODUCT NUMBER						MAIN DIMENSIONS				Eccentricity (max) μm	Radial Clearance (max) μm	BASIC LOAD RATING		Weight (g)	
Model / Slide Bush type						dr mm	h mm	h1 mm	θ			C N	Co N		
Standard Type	Ball circuits	Open Type	Ball circuits	Clearance Adjustable Type	Ball circuits										
LM4	4	-	-	-	-	4	-	-	-	8	-3	88	127	2	
LM5UU	4	-	-	-	-	5	-	-	-			167	206	4	
LM6UU	4	-	-	LM6UUAJ	4	6	1.0	-	-			206	265	8.5	
LM8SUU	4	-	-	LM8SUUAJ	4	8	1.0	-	-			176	216	11	
LM8UU	4	-	-	LM8UUAJ	4	8	1.0	-	-			274	392	17	
LM10UU	4	-	-	LM10UUAJ	4	10	1.0	6.8	80°		12	-4	372	549	36
LM12UU	4	LM12UU-OP	3	LM12UUAJ	4	12	1.5	8	80°				510	784	42
LM13UU	4	LM13UU-OP	3	LM13UUAJ	4	13	1.5	9	80°				510	784	49
LM16UU	5	LM16UU-OP	4	LM16UUAJ	5	16	1.5	11	80°			774	1180	76	
LM20UU	5	LM20UU-OP	4	LM20UUAJ	5	20	1.5	11	60°			15	-6	882	1370
LM25UU	6	LM25UU-OP	5	LM25UUAJ	6	25	2	12	50°	980				1570	240
LM30UU	6	LM30UU-OP	5	LM30UUAJ	6	30	2.5	15	50°	-8	1570		2740	270	
LM35UU	6	LM35UU-OP	5	LM35UUAJ	6	35	2.5	17	50°		1670		3140	425	
LM40UU	6	LM40UU-OP	5	LM40UUAJ	6	40	3	20	50°	20	-10	2160	4020	654	
LM50UU	6	LM50UU-OP	5	LM50UUAJ	6	50	3	25	50°			3820	7940	1700	
LM60UU	6	LM60UU-OP	5	LM60UUAJ	6	60	3	30	50°	25	-13	4700	10000	2000	

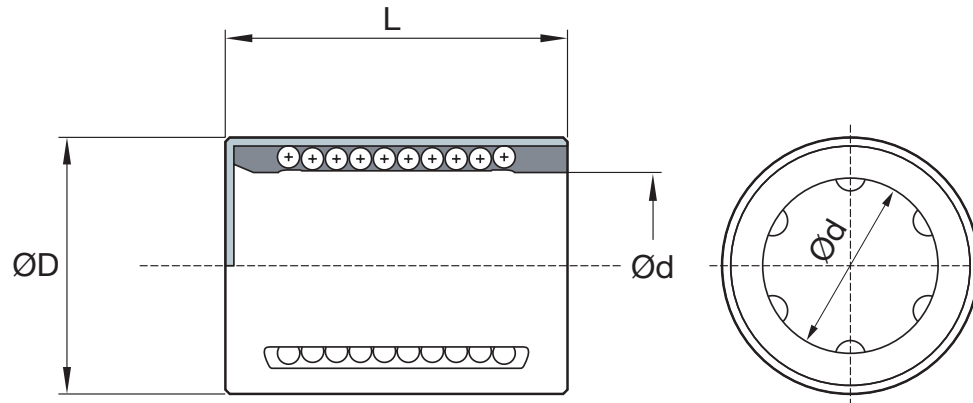
Part No **LML**

Double-Wide Type



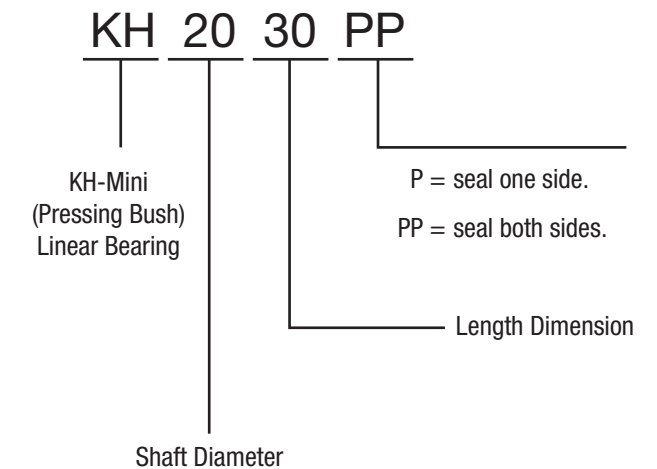
PRODUCT NUMBER		MAIN DIMENSIONS										BASIC LOAD RATING		Eccentricity (max) μm	Weight (g)
Model	Ball circuits	dr mm	tolerance μm	D mm	tolerance μm	L mm	tolerance μm	B mm	tolerance μm	W mm	D1 mm	C N	Co N		
LM6LUU	4	6	0 -10	12	0 -13	35	0 -300	27	0 -400	1.1	11.5	323	530	15	16
LM8LUU	4	8		15		45		35		1.1	14.3	431	784		
LM10LUU	4	10		19		55		44		1.3	18	588	1100		
LM12LUU	4	12		21		57		46		1.3	20	813	1570		
LM13LUU	4	13		23		61		46		1.3	22	813	1570		
LM16LUU	5	16		28		70		53		1.6	27	1230	2350		
LM20LUU	5	20	0 -12	32	0 -19	80	0 -400	61	0 -500	1.6	30.5	1400	2740	20	180
LM25LUU	6	25		40		112		82		1.85	38	1560	3140		
LM30LUU	6	30	0 -15	45	0 -22	123	0 -400	89	0 -500	1.85	43	2490	3490	25	480
LM35LUU	6	35		52		135		99		2.1	49	2650	6270		
LM40LUU	6	40		60		151		121		2.1	57	3430	8040		
LM50LUU	6	50	0 -20	80	0 -25	192	0 -400	148	0 -500	2.6	76.5	6080	15900	30	3100
LM60LUU	6	60		90		209		170		3.15	86.5	7550	20000		

Part No **KH**
Miniature Type



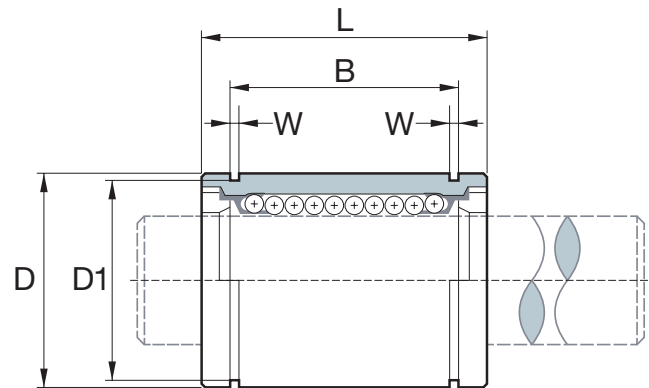
PRODUCT NUMBER	MAIN DIMENSIONS			BASIC LOAD RATING		Weight (g)
	Ød	ØD	L	C N	Co N	
KH-0622	6	12	22	400	239	7
KH-0824	8	15	24	435	280	12
KH-1026	10	17	26	500	370	14.5
KH-1228	12	19	28	620	510	18.5
KH-1428	14	21	28	620	520	20.5
KH-1630	16	24	30	800	620	27.5
KH-2030	20	28	30	950	790	32.5
KH-2540	25	35	40	1990	1670	66
KH-3050	30	40	50	2800	2700	95
KH-4060	40	52	60	4400	4450	182
KH-5070	50	62	70	5500	6300	252

Type number format



Part No **LME**

Euro Metric



LM
Standard Type



LM OP
Open Type

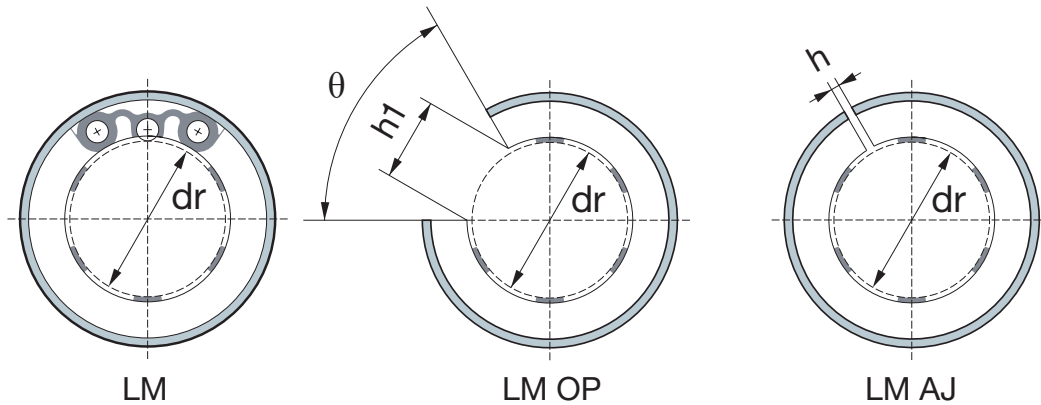


LM AJ
Clearance Adjustable Type

PRODUCT NUMBER						MAIN DIMENSIONS															
Model / Slide Bush type						dr mm	tolerance µm	D mm	tolerance µm	L mm	tolerance µm	B mm	tolerance µm	W mm	D1 mm						
Standard Type	Ball circuits	Open Type	Ball circuits	Clearance Adjustable Type	Ball circuits																
LME5UU	4	-	-	LME5UUAJ	4	5	12	0	22	-200	14.5	-300	1.1	11.5							
LME8UU	4	-	-	LME8UUAJ	4	8									+8	16	-8	25	16.5	1.1	15.2
LME12UU	4	LME12UU-OP	3	LME12UUAJ	4	12									0	22	-9	32	22.9	1.3	21
LME16UU	5	LME16UU-OP	4	LME16UUAJ	5	16	+9	26	-1	36	24.9	1.3	24.9								
LME20UU	5	LME20UU-OP	4	LME20UUAJ	5	20	0	32		45	31.5	1.6	30.3								
LME25UU	6	LME25UU-OP	5	LME25UUAJ	6	25	+11	40	-1	58	44.1	-400	1.85	37.5							
LME30UU	6	LME30UU-OP	5	LME30UUAJ	6	30	0	47		68	52.1		1.85	44.5							
LME40UU	6	LME40UU-OP	5	LME40UUAJ	6	40	+13	62	-13	80	60.6	0	2.15	59							
LME50UU	6	LME50UU-OP	5	LME50UUAJ	6	50		75		100	77.6		2.65	72							
LME60UU	6	LME60UU-OP	5	LME60UUAJ	6	60		90		125	101.7		3.15	86.5							

Part No **LME**

Euro Metric



LM
Standard Type



LM OP
Open Type



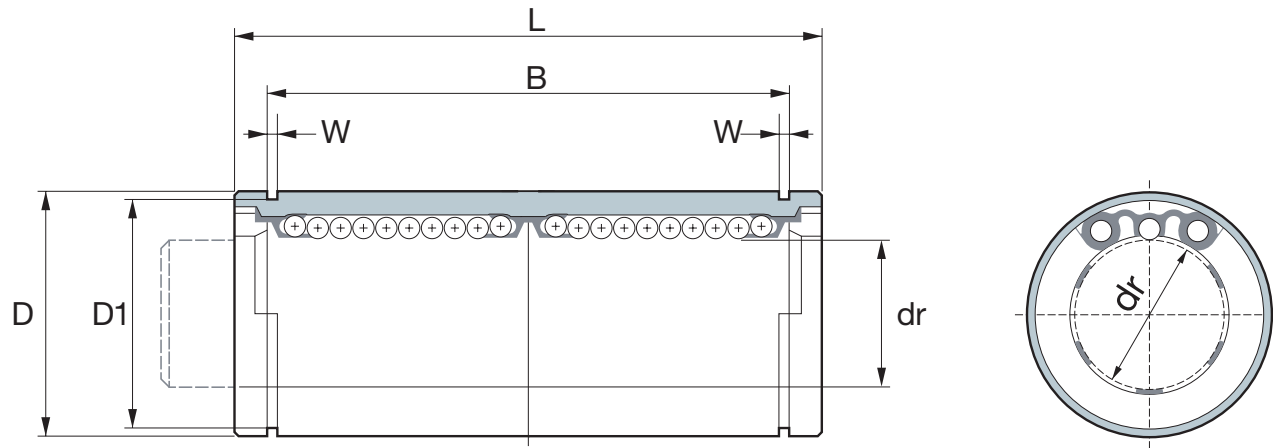
LM AJ
Clearance Adjustable Type

PRODUCT NUMBER						MAIN DIMENSIONS				Eccentricity (max) μm	Radial Clearance (max) μm	BASIC LOAD RATING		Weight (g)
Model / Slide Bush type						dr mm	h mm	h1 mm	θ			C N	Co N	
Standard Type	Ball circuits	Open Type	Ball circuits	Clearance Adjustable Type	Ball circuits									
LME5UU	4	-	-	LME5UUAJ	4	5	-	-	-	12	-3	206	265	11
LME8UU	4	-	-	LME8UUAJ	4	8	-	-	-			265	402	22
LME12UU	4	LME12UU-OP	3	LME12UUAJ	4	12	1.5	7.5	78°		-4	510	784	45
LME16UU	5	LME16UU-OP	4	LME16UUAJ	5	16	1.5	10	78°	578		892	60	
LME20UU	5	LME20UU-OP	4	LME20UUAJ	5	20	2	10	60°	15	-6	862	1370	102
LME25UU	6	LME25UU-OP	5	LME25UUAJ	6	25	2	12.5	60°			980	1570	235
LME30UU	6	LME30UU-OP	5	LME30UUAJ	6	30	2	12.5	50°		-8	1570	2740	360
LME40UU	6	LME40UU-OP	5	LME40UUAJ	6	40	3	16.8	50°	2160		4020	770	
LME50UU	6	LME50UU-OP	5	LME50UUAJ	6	50	3	21	50°	17	-13	3820	7940	1250
LME60UU	6	LME60UU-OP	5	LME60UUAJ	6	60	3	27.2	54°			4700	9800	2220

Part No **LME**

Euro Metric

Double-Wide Type



PRODUCT NUMBER		MAIN DIMENSIONS										Eccentricity (max) μm	BASIC LOAD RATING		Weight (g)
Model	Ball circuits	dr mm	tolerance μm	D mm	tolerance μm	L mm	tolerance μm	B mm	tolerance μm	W mm	D1 mm		C N	Co N	
LME8LUU	4	8	+9 -1	16	0 -9	46	0 -300	33	0 -400	1.1	15.2	15	421	804	40
LME12LUU	4	12	+11 -1	22	0 -11	61		45.8		1.3	21		813	1570	80
LME16LUU	5	16		26	68	49.8		1.3		24.9	921		1780	115	
LME20LUU	5	20	+13 -2	32	0 -13	80	0 -400	61	0 -500	1.6	30.5	17	1370	2740	180
LME25LUU	6	25		40		112		82		1.85	38		1570	3140	430
LME30LUU	6	30	+16 -4	47	0 -15	123	0 -400	104.2	0 -500	1.85	44.5	20	2500	5490	615
LME40LUU	6	40		62		151		121.2		2.15	59		3430	8040	1400
LME50LUU	6	50		75		192		155.2		2.65	72		6080	15900	2320
LME60LUU	6	60		90	0 -20	209		170		3.15	86.5	25	7550	20000	3900