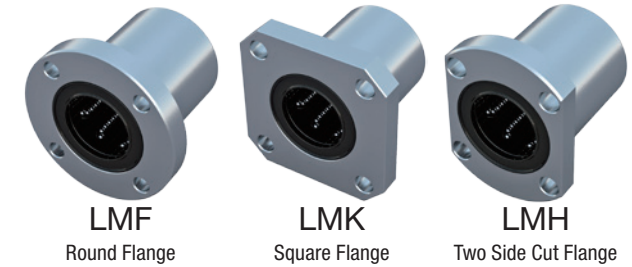
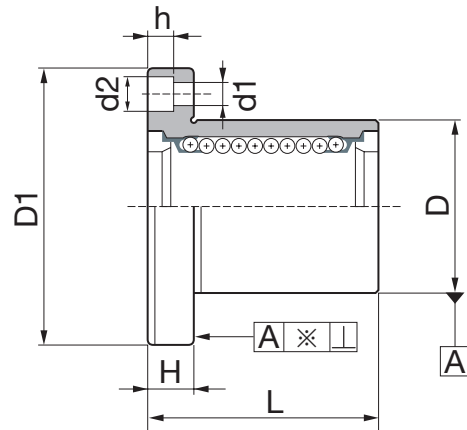


Part No **LMF / LMK / LMH**

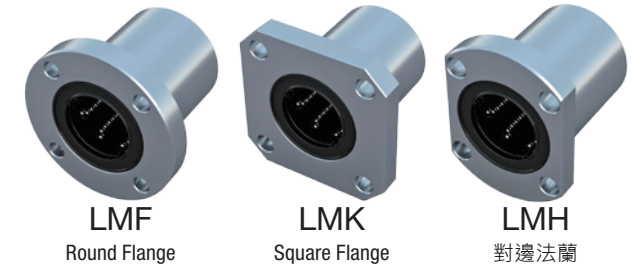
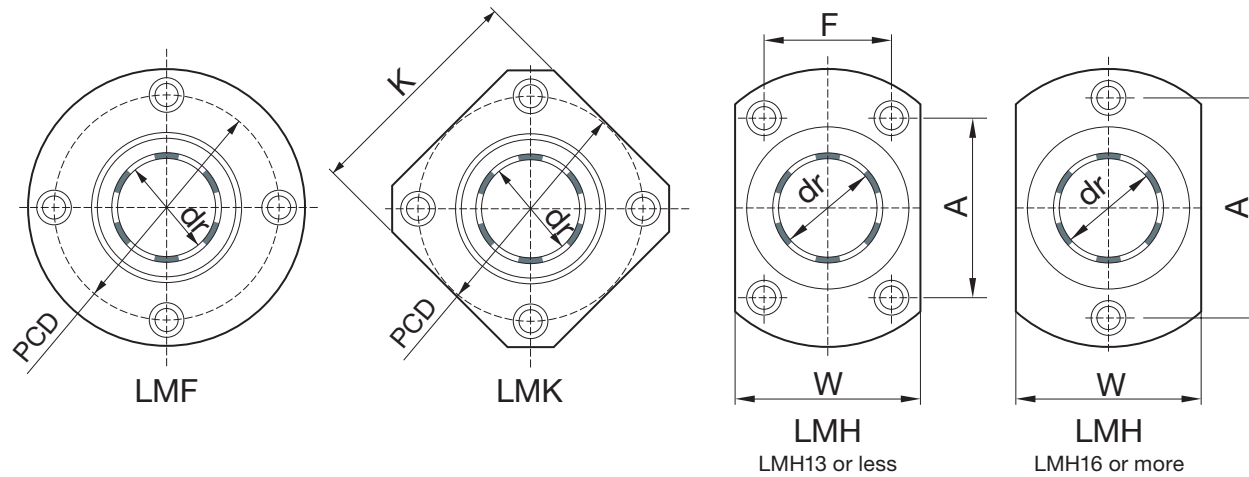
Flange Type



PRODUCT NUMBER			MAIN DIMENSIONS								
Model / Slide Bush type			Ball circuits	dr mm	tolerance μm	D mm	tolerance μm	L ± 0.3 mm	D1 mm	H mm	dl x d2 x h mm
LMF6UU	LMK6UU	LMH6UU	4	6	0 -9	12	0 -11	19	28	5	3.5 x 6 x 3.1
LMF8UU	LMK8UU	LMH8UU	4	8		15		24	32	5	3.5 x 6 x 3.1
LMF10UU	LMK10UU	LMH10UU	4	10		19	0 -13	29	40	6	4.5 x 7.5 x 4.1
LMF12UU	LMK12UU	LMH12UU	4	12		21		30	42	6	4.5 x 7.5 x 4.1
LMF13UU	LMK13UU	LMH13UU	4	13		23		32	43	6	4.5 x 7.5 x 4.1
LMF16UU	LMK16UU	LMH16UU	5	16		28		37	48	6	4.5 x 7.5 x 4.1
LMF20UU	LMK20UU	LMH20UU	5	20	0 -10	32	0 -16	42	54	8	5.5 x 9 x 5.1
LMF25UU	LMK25UU	LMH25UU	6	25		40		59	62	8	5.5 x 9 x 5.1
LMF30UU	LMK30UU	LMH30UU	6	30		45		64	74	10	6.6 x 11 x 6.1
LMF35UU	LMK35UU	-	6	35	0 -12	52	0 -19	70	82	10	6.6 x 11 x 6.1
LMF40UU	LMK40UU	-	6	40		60		80	96	13	9 x 14 x 8.1
LMF50UU	LMK50UU	-	6	50		80		100	116	13	9 x 14 x 8.1
LMF60UU	LMK60UU	-	6	60	0 -15	90	0 -22	110	134	18	11 x 17 x 11.1

Part No **LMF/LMK/LMH**

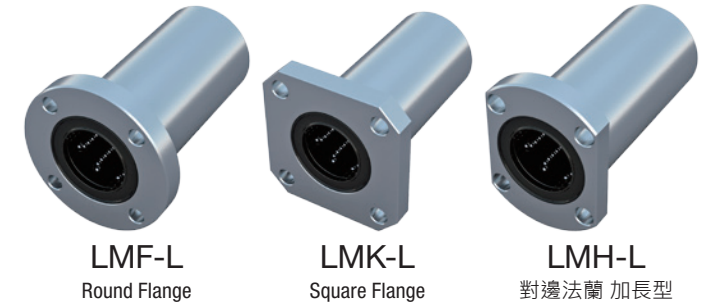
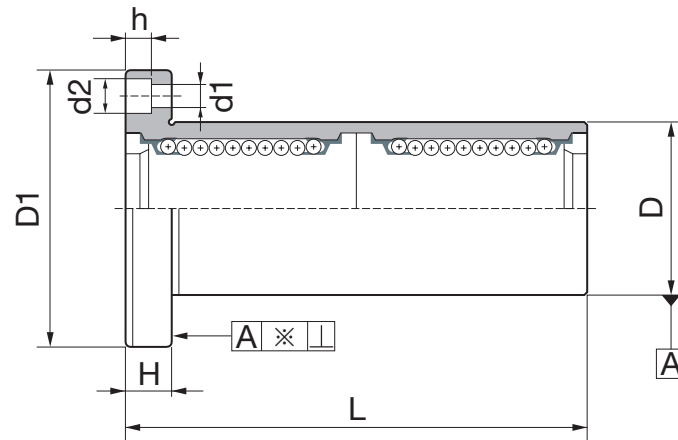
Flange Type



MAIN DIMENSIONS							Eccentricity (max) μm	Radial Clearance (max) μm	BASIC LOAD RATING		Weight (g)
dr mm	PCD mm	K mm	W mm	A mm	F mm	d1 × d2 × h mm			C N	Co N	
6	20	22	18	20	-	3.5 × 6 × 3.1	12	-3	206	265	24
8	24	25	21	24	-	3.5 × 6 × 3.1			274	392	37
10	29	30	25	29	-	4.5 × 7.5 × 4.1		-4	372	549	72
12	32	32	27	32	-	4.5 × 7.5 × 4.1			510	784	76
13	33	34	29	33	-	4.5 × 7.5 × 4.1		-6	510	784	.88
16	38	37	34	31	22	4.5 × 7.5 × 4.1			774	1180	120
20	43	42	38	36	24	5.5 × 9 × 5.1	15	-6	882	1370	180
25	51	50	46	40	32	5.5 × 9 × 5.1			980	1570	340
30	60	58	51	49	35	6.6 × 11 × 6.1		-8	1570	2740	470
35	67	64	-	-	-	6.6 × 11 × 6.1	20		1670	3140	650
40	78	75	-	-	-	9 × 14 × 8.1		-10	2160	4020	1060
50	98	92	-	-	-	9 × 14 × 8.1	25		-13	3820	7940
60	112	106	-	-	-	11 × 17 × 11.1		4700		10000	3000

Part No **LMF-L / LMK-L / LMH-L**

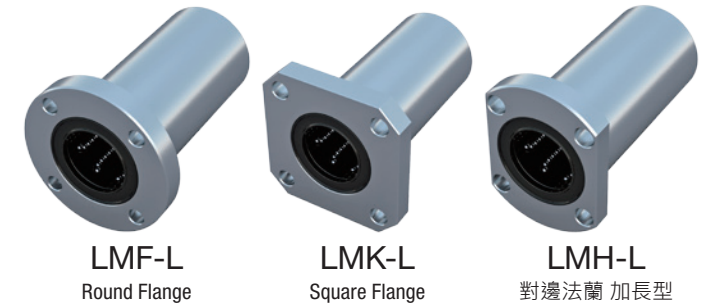
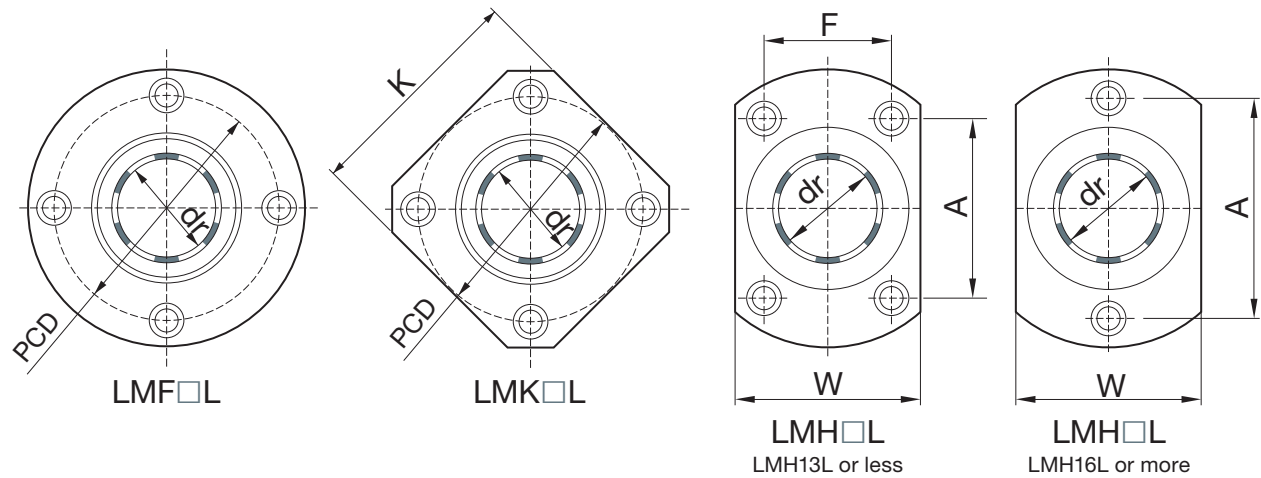
Flange Double-Wide Type



PRODUCT NUMBER			MAIN DIMENSIONS								
Model / Slide Bush type			Ball circuits	dr mm	tolerance μm	D mm	tolerance μm	L ± 0.3 mm	D1 mm	H mm	d1 x d2 x h mm
LMF6LUU	LMK6LUU	LMH6LUU	4	6	0-10	12	0 -13	35	28	5	3.5 x 6 x 3.1
LMF8LUU	LMK8LUU	LMH8LUU	4	8		15		45	32	5	3.5 x 6 x 3.1
LMF10LUU	LMK10LUU	LMH10LUU	4	10		19		55	40	6	4.5 x 7.5 x 4.1
LMF12LUU	LMK12LUU	LMH12LUU	4	12		21	0 -16	57	42	6	4.5 x 7.5 x 4.1
LMF13LUU	LMK13LUU	LMH13LUU	4	13		23		61	43	6	4.5 x 7.5 x 4.1
LMF16LUU	LMK16LUU	LMH16LUU	5	16		28		70	48	6	4.5 x 7.5 x 4.1
LMF20LUU	LMK20LUU	LMH20LUU	5	20	0 -12	32	0 -19	80	54	8	5.5 x 9 x 5.1
LMF25LUU	LMK25LUU	LMH25LUU	6	25		40		112	62	8	5.5 x 9 x 5.1
LMF30LUU	LMK30LUU	LMH30LUU	6	30		45		123	74	10	6.6 x 11 x 6.1
LMF35LUU	LMK35LUU	-	6	35	0 -15	52	0 -22	135	82	10	6.6 x 11 x 6.1
LMF40LUU	LMK40LUU	-	6	40		60		151	96	13	9 x 14 x 8.1
LMF50LUU	LMK50LUU	-	6	50		80		192	116	13	9 x 14 x 8.1
LMF60LUU	LMK60LUU	-	6	60	0 -20	90	0 -25	209	134	18	11 x 17 x 11.1

Part No **LMF-L/LMK-L/LMH-L**

Flange Double-Wide Type

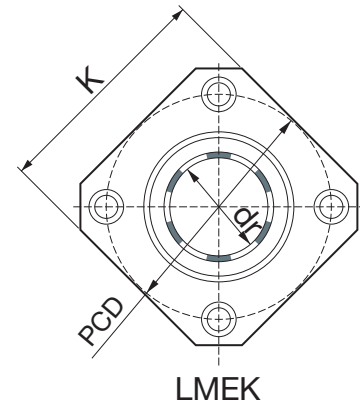
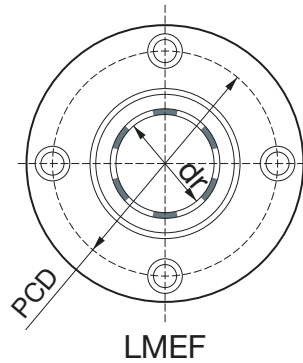
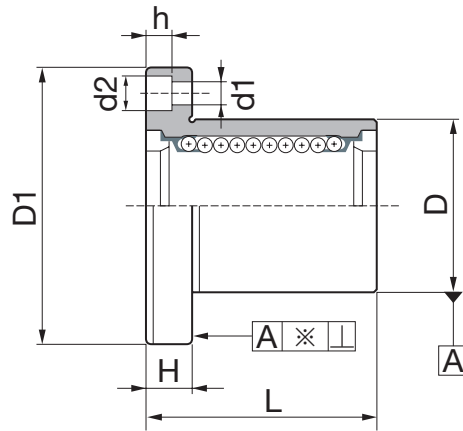


MAIN DIMENSIONS							Eccentricity (max) μm	Radial Clearance (max) μm	BASIC LOAD RATING		Weight (g)
dr mm	PCD mm	K mm	W mm	A mm	F mm	dl × d2 × h mm			C N	Co N	
6	20	22	18	20	-	3.5 × 6 × 3.1	15	-3	323	529	31
8	24	25	21	24	-	3.5 × 6 × 3.1	15	-3	431	784	51
10	29	30	25	29	-	4.5 × 7.5 × 4.1	15	-4	588	1100	98
12	32	32	27	32	-	4.5 × 7.5 × 4.1	15	-4	813	1570	110
13	33	34	29	33	-	4.5 × 7.5 × 4.1	15	-4	813	1570	130
16	38	37	34	31	22	4.5 × 7.5 × 4.1	15	-6	1230	2350	190
20	43	42	38	36	24	5.5 × 9 × 5.1	20	-6	1400	2740	260
25	51	50	46	40	32	5.5 × 9 × 5.1	20	-6	1560	3140	540
30	60	58	51	49	35	6.6 × 11 × 6.1	20	-8	2490	5490	680
35	67	64	-	-	-	6.6 × 11 × 6.1	25	-8	2650	6270	1020
40	78	75	-	-	-	9 × 14 × 8.1	25	-10	3430	8040	1570
50	98	92	-	-	-	9 × 14 × 8.1	25	-13	6080	15900	3600
60	112	106	-	-	-	11 × 17 × 11.1	25	-13	7550	20000	4500

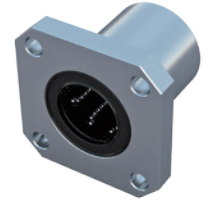
Part No **LMEF/LMEK**

Euro Metric

Flange Type



LMEF
Round Flange



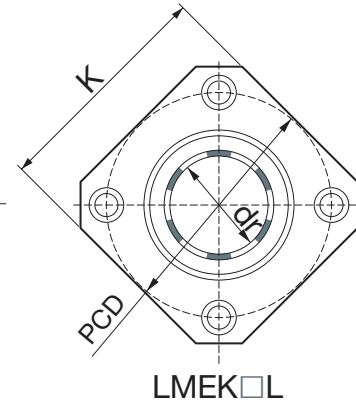
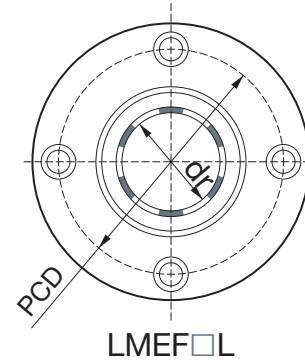
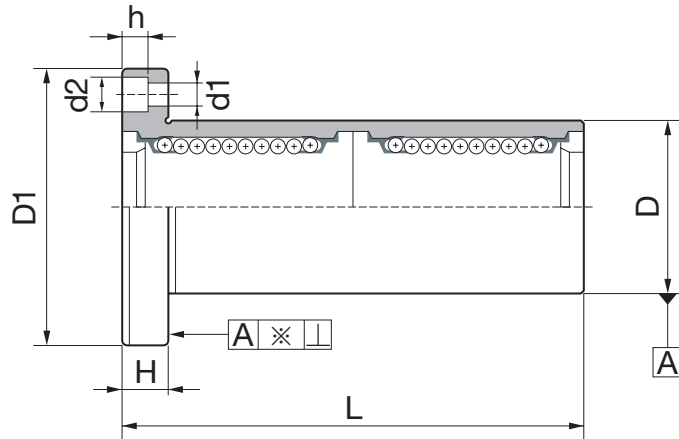
LMEK
Square Flange

PRODUCT NUMBER		MAIN DIMENSIONS											Eccentricity (max) μm	Radial Clearance (max) μm	BASIC LOAD RATING		Weight (g)
Model / Slide Bush type	Ball circuits	dr mm	tolerance μm	D mm	tolerance μm	L ±0.3 mm	D1 mm	H mm	PCD mm	K mm	d1 × d2 × h mm	C N			Co N		
LMEF8UU	LMEK8UU	4	8	+8 0	16	0 -11	25	32	5	24	25	3.5 × 6 × 3.1	12	-3	265	402	41
LMEF12UU	LMEK12UU	4	12	+9 -1	22	0 -13	32	42	6	32	32	4.5 × 7.5 × 4.1		-4	510	784	80
LMEF16UU	LMEK16UU	5	16		26	36	46	6	36	35	4.5 × 7.5 × 4.1	578		892	103		
LMEF20UU	LMEK20UU	5	20	+11 -1	32	0 -16	45	54	8	43	42	5.5 × 9 × 5.1	15	-6	862	1370	182
LMEF25UU	LMEK25UU	6	25		40	58	62	8	51	50	5.5 × 9 × 5.1	980		1570	335		
LMEF30UU	LMEK30UU	6	30		47	68	76	10	62	60	6.6 × 11 × 6.1	1570		2740	560		
LMEF40UU	LMEK40UU	6	40	+13 -2	62	0 -19	80	98	13	80	75	9 × 14 × 8.1	20	-8	2160	4020	1175
LMEF50UU	LMEK50UU	6	50		75	100	112	13	94	88	9 × 14 × 8.1	3820		7940	1745		
LMEF60UU	LMEK60UU	6	60		90	125	134	18	112	106	11 × 17 × 11.1	4700		9800	3220		

Part No **LMEF-L/LMEK-L**

Euro Metric

Flange Double-Wide Type



LMEF-L
Round Flange

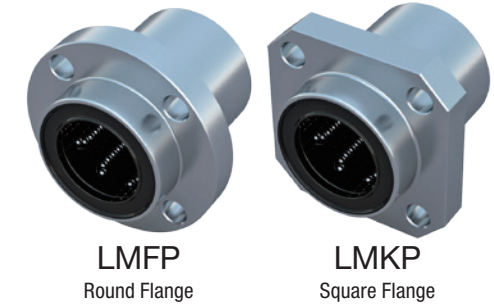
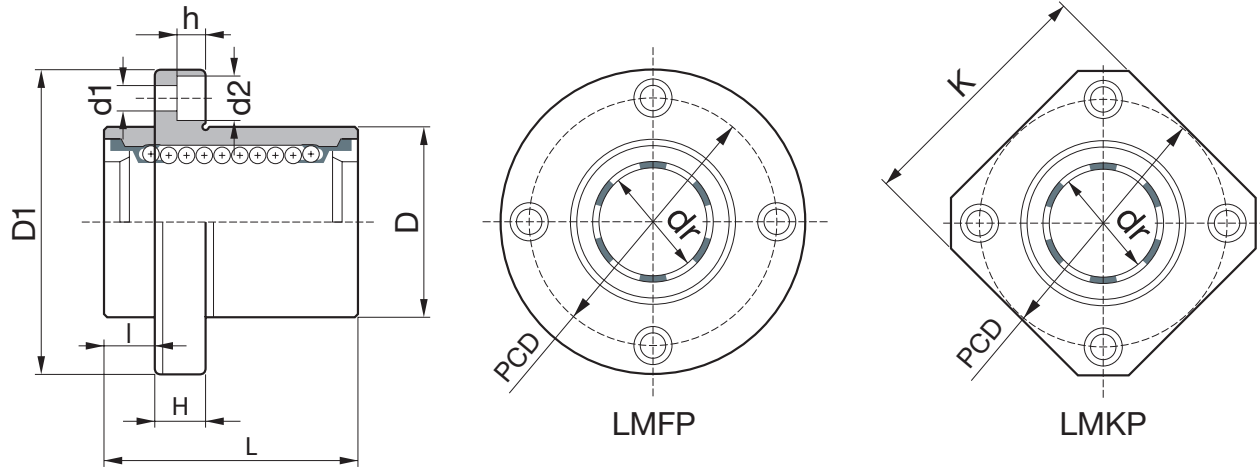


LMEK-L
Square Flange

PRODUCT NUMBER		MAIN DIMENSIONS											Eccentricity (max) μm	Radial Clearance (max) μm	BASIC LOAD RATING		Weight (g)
Model / Slide Bush type	Ball circuits	dr mm	tolerance μm	D mm	tolerance μm	L ±0.3 mm	D1 mm	H mm	PCD mm	K mm	d1 × d2 × h mm	C N			Co N		
LMEF8LUU	LMEK8LUU	4	8	+9 -1	16	0 -13	46	32	5	24	25	3.5 × 6 × 3.1	15	-3	421	804	59
LMEF12LUU	LMEK12LUU	4	12		22	0	61	42	6	32	32	4.5 × 7.5 × 4.1	15		813	1570	110
LMEF16LUU	LMEK16LUU	5	16	+11 1	26	-16	68	46	6	36	35	4.5 × 7.5 × 4.1	15	-4	921	1780	160
LMEF20LUU	LMEK20LUU	5	20		32	0	80	54	8	43	42	5.5 × 9 × 5.1	17		1370	2740	260
LMEF25LUU	LMEK25LUU	6	25	+13 2	40	-19	112	62	8	51	50	5.5 × 9 × 5.1	17	-6	1570	3140	540
LMEF30LUU	LMEK30LUU	6	30		47	0	123	76	10	62	60	6.6 × 11 × 6.1	17		2500	5490	815
LMEF40LUU	LMEK40LUU	6	40	+16 -4	62	0	151	98	13	80	75	9 × 14 × 8.1	20	-8	3430	8040	1805
LMEF50LUU	LMEK50LUU	6	50		75	-22	192	112	13	94	88	9 × 14 × 8.1	25		6080	15900	2820
LMEF60LUU	LMEK60LUU	6	60	90	0 -25	209	134	18	112	106	11 × 17 × 11.1	25	-13	7550	20000	4920	

Part No **LMFP / LMKP**

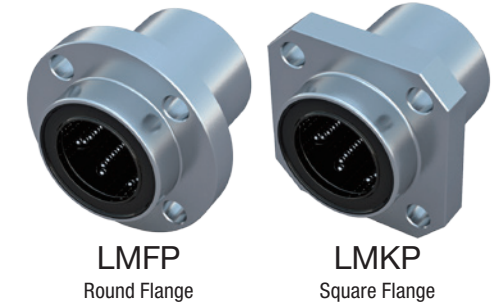
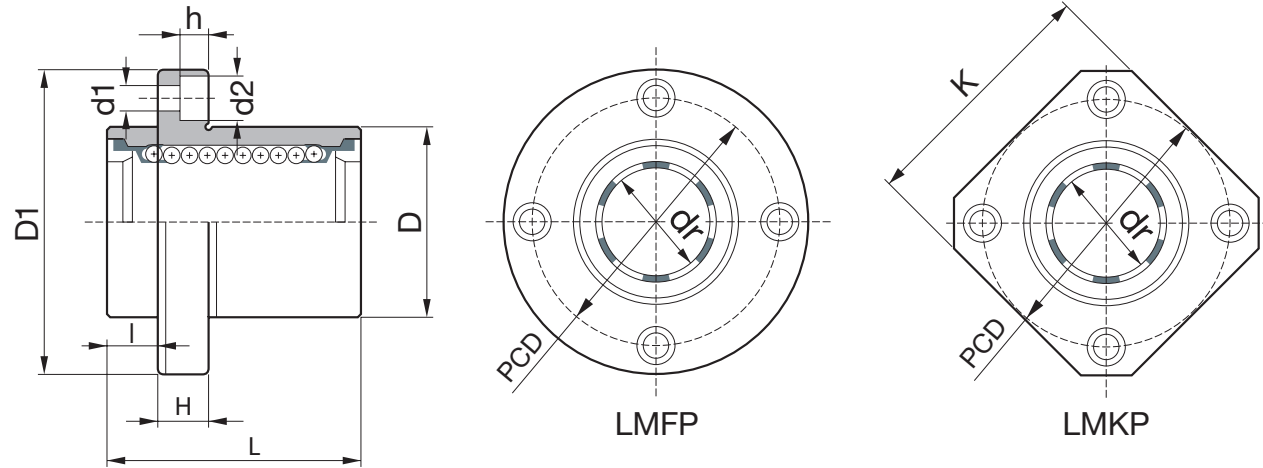
Flange Type with Pilot End



PRODUCT NUMBER		MAIN DIMENSIONS											Eccentricity (max) μm	BASIC LOAD RATING		Weight (g)
Model	Ball circuits	dr (mm)	tolerance μm	D (mm)	tolerance μm	L ±0.3 mm	l mm	D1 mm	K mm	H mm	PCD mm	d1 × d2 × h mm		C N	Co N	
LMFP6UU	4	6	0 -9	12	0 -13	19	5	28	22	5	20	3.5 × 6 × 3.1	12	206	265	24
LMKP6UU																
LMFP8UU	4	8		15	0 -13	24	5	32	25	5	24	3.5 × 6 × 3.1		274	392	37
LMKP8UU																
LMFP10UU	4	10		19	0 -16	29	6	40	30	6	29	4.5 × 7.5 × 4.1		372	549	72
LMKP10UU																
LMFP12UU	4	12		21	0 -16	30	6	42	32	6	32	4.5 × 7.5 × 4.1		510	784	76
LMKP12UU																
LMFP13UU	4	13		23	0 -16	32	6	43	34	6	33	4.5 × 7.5 × 4.1		510	784	88
LMKP13UU																
LMFP16UU	5	16	28	0 -16	37	6	48	37	6	38	4.5 × 7.5 × 4.1	774	1180	120		
LMKP16UU																

Part No **LMFP / LMKP**

Flange Type with Pilot End



LMFP
Round Flange

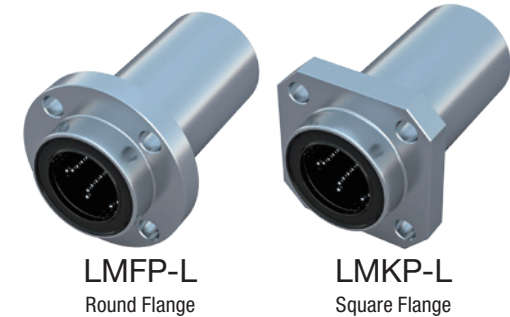
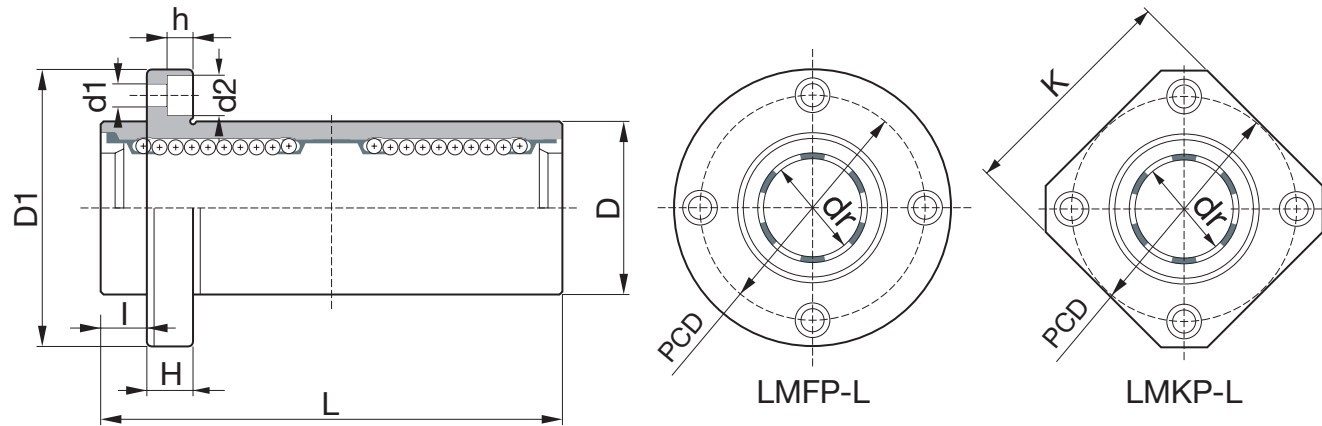
LMKP
Square Flange

PRODUCT NUMBER		MAIN DIMENSIONS											Eccentricity (max) μm	BASIC LOAD RATING		Weight (g)
Model	Ball circuits	dr (mm)	tolerance μm	D (mm)	tolerance μm	L ±0.3 mm	I mm	D1 mm	K mm	H mm	PCD mm	d1 × d2 × h mm		C N	Co N	
LMFP20UU	5	20	0 -10	32	0 -19	42	8	54	42	8	43	5.5 × 9 × 5.1	15	882	1370	180
LMKP20UU																
LMFP25UU	6	25	0 -10	40	0 -19	59	8	62	50	8	51	5.5 × 9 × 5.1	15	980	1570	340
LMKP25UU																
LMFP30UU	6	30	0 -10	45	0 -19	64	10	74	58	10	60	6.6 × 11 × 6.1	15	1570	2740	470
LMKP30UU																
LMFP35UU	6	35	0 -10	52	0 -19	70	10	82	64	10	67	6.6 × 11 × 6.1	15	1670	3140	650
LMKP35UU																
LMFP40UU	6	40	0 -12	60	0 -22	80	13	96	75	13	78	9 × 14 × 8.1	20	2160	4020	1060
LMKP40UU																
LMFP50UU	6	50	0 -12	80	0 -22	100	13	116	92	18	98	9 × 14 × 8.1	20	3820	7940	2200
LMKP50UU																
LMFP60UU	6	60	0 -15	90	0 -25	110	18	134	106	18	112	11 × 17 × 11.1	25	4700	10000	3000
LMKP60UU																

Part No **LMFP-L/LMKP-L**

Flange Type with Pilot End

(Double-Wide Type)



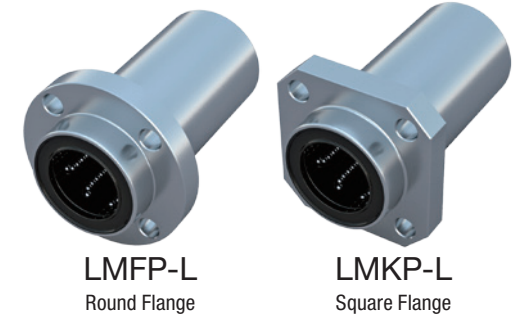
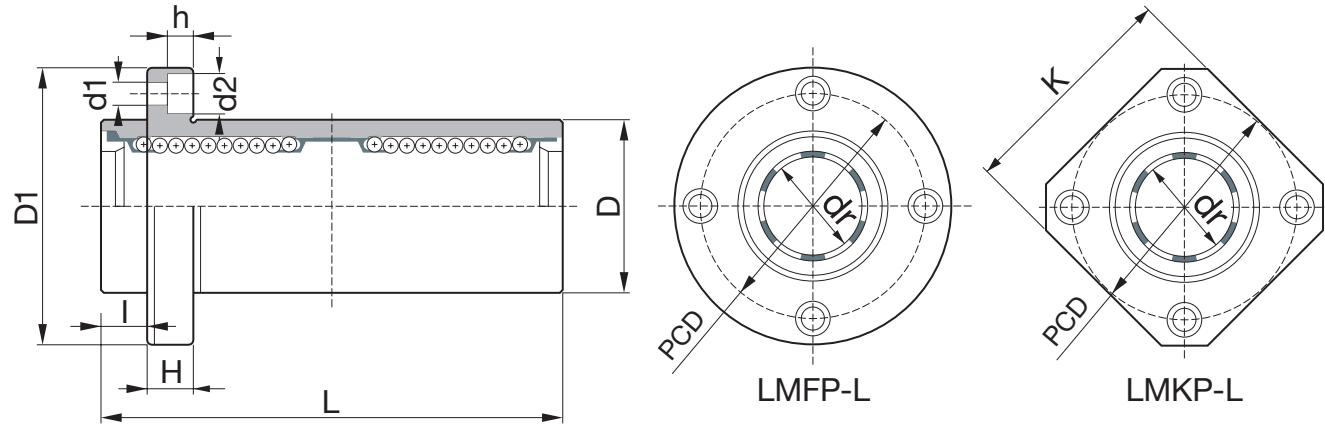
LMFP-L
Round Flange

LMKP-L
Square Flange

PRODUCT NUMBER		MAIN DIMENSIONS											Eccentricity (max) μm	BASIC LOAD RATING		Weight (g)
Model	Ball circuits	dr mm	tolerance μm	D mm	tolerance μm	L ±0.3 mm	I mm	D1 mm	K mm	H mm	PCD mm	d1 × d2 × h mm		C N	Co N	
LMFP6LUU	4	6	0 -10	12	0 -13	35	5	28	22	5	20	3.5 × 6 × 3.1	15	323	529	31
LMKP6LUU																
LMFP8LUU	4	8		15	0 -13	45	5	32	25	5	24	3.5 × 6 × 3.1		431	784	51
LMKP8LUU																
LMFP10LUU	4	10		19	0 -16	55	6	40	30	6	29	4.5 × 7.5 × 4.1		588	1100	98
LMKP10LUU																
LMFP12LUU	4	12		21	0 -16	57	6	42	32	6	32	4.5 × 7.5 × 4.1		813	1570	110
LMKP12LUU																
LMFP13LUU	4	13		23	0 -16	61	6	43	34	6	33	4.5 × 7.5 × 4.1		813	1570	130
LMKP13LUU																
LMFP16LUU	5	16	28	0 -16	70	6	48	37	6	38	4.5 × 7.5 × 4.1	1230	2350	190		
LMKP16LUU																

Part No **LMFP-L/LMKP-L**

Flange Type with Pilot End
(Double-Wide Type)



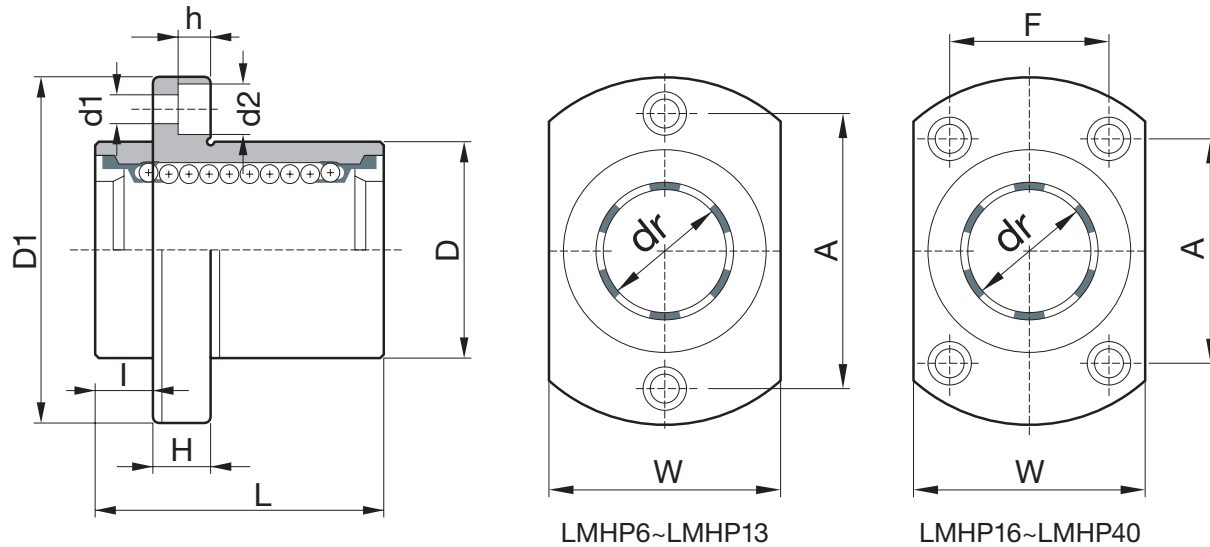
LMFP-L
Round Flange

LMKP-L
Square Flange

PRODUCT NUMBER		MAIN DIMENSIONS											Eccentricity (max) μm	BASIC LOAD RATING		Weight (g)			
Model	Ball circuits	dr mm	tolerance μm	D mm	tolerance μm	L ±0.3 mm	I mm	D1 mm	K mm	H mm	PCD mm	d1 × d2 × h mm		C N	Co N				
LMFP20LUU	5	20	0 -12	32	0 -19	80	8	54	42	8	43	5.5 × 9 × 5.1	20	1400	2740	260			
LMKP20LUU						112	8	62	50	8	51	5.5 × 9 × 5.1		1560	3140	540			
LMFP25LUU	6	25		40		123	10	74	58	10	60	6.6 × 11 × 6.1		2490	5490	680			
LMKP25LUU						135	10	82	64	10	67	6.6 × 11 × 6.1		2650	6270	1020			
LMFP30LUU	6	30		0 -15		45	0 -22	151	13	96	75	13		78	9 × 14 × 8.1	25	3430	8040	1570
LMKP30LUU								192	13	116	92	13		98	9 × 14 × 8.1		6080	15500	3600
LMFP35LUU	6	35	52		209	18		134	106	18	112	11 × 17.5 × 10.8	7550	20000	4500				
LMKP35LUU					151	13		96	75	13	78	9 × 14 × 8.1	3430	8040	1570				
LMFP40LUU	6	40	0 -15		60	0 -22		192	13	116	92	13	98	9 × 14 × 8.1	25		6080	15500	3600
LMKP40LUU								209	18	134	106	18	112	11 × 17.5 × 10.8			7550	20000	4500
LMFP50LUU	6	50		80	209		18	134	106	18	112	11 × 17.5 × 10.8	7550	20000		4500			
LMKP50LUU					151		13	96	75	13	78	9 × 14 × 8.1	3430	8040		1570			
LMFP60LUU	6	60		0 -20	90		0 -25	209	18	134	106	18	112	11 × 17.5 × 10.8		25	7550	20000	4500
LMKP60LUU								151	13	96	75	13	78	9 × 14 × 8.1			3430	8040	1570

Part No **LMHP**

Two Side Cut Pilot End Flange Type

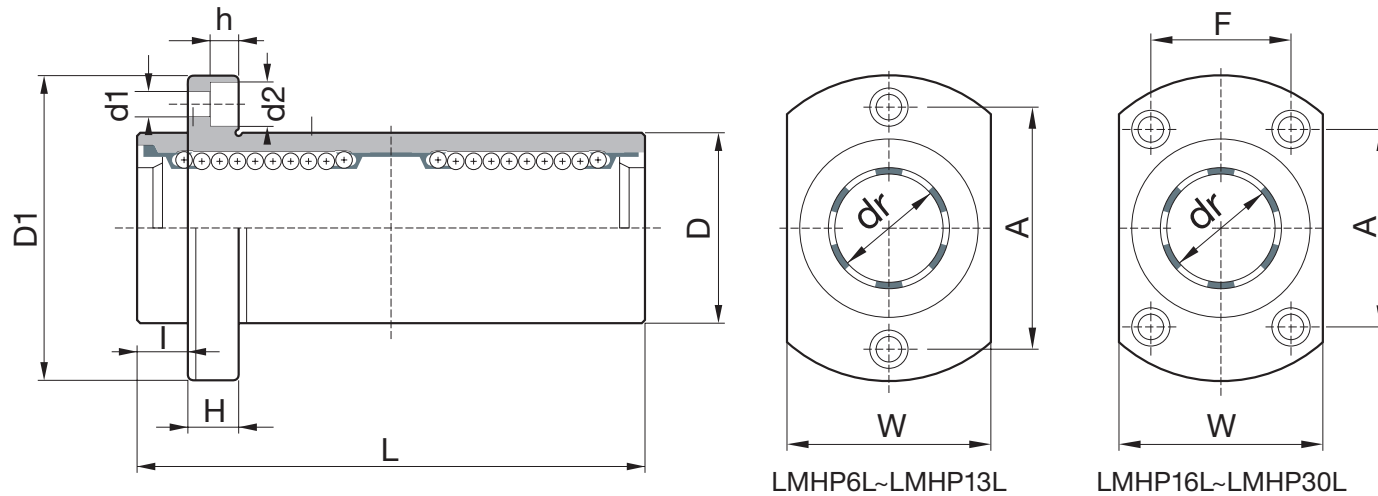


PRODUCT NUMBER		MAIN DIMENSIONS												Eccentricity (max) μm	BASIC LOAD RATING		Weight (g)
Model	Ball circuits	dr mm	tolerance μm	D mm	tolerance μm	L ±0.3 mm	I mm	D1 mm	W mm	H mm	A mm	F mm	D1 × d2 × h mm		C N	Co N	
LMHP6UU	4	6	0 -9	12	0 -13	19	5	28	18	5	20	-	3.5 × 6 × 3.1	12	206	265	21
LMHP8UU	4	8		15		24	5	32	21	5	24	-	3.5 × 6 × 3.1		274	392	33
LMHP10UU	4	10		19		29	6	40	25	6	29	-	4.5 × 7.5 × 4.1		372	549	64
LMHP12UU	4	12		21	30	6	42	27	6	32	-	4.5 × 7.5 × 4.1	510		784	68	
LMHP13UU	4	13		23	32	6	43	29	6	33	-	4.5 × 7.5 × 4.1	510		784	81	
LMHP16UU	5	16		28	37	6	48	34	6	31	22	4.5 × 7.5 × 4.1	774		1180	112	
LMHP20UU	5	20	0 -10	32	0 -19	42	8	54	38	8	36	24	5.5 × 9 × 5.1	15	882	1370	167
LMHP25UU	6	25		40		59	8	62	46	8	40	32	5.5 × 9 × 5.1		980	1570	325
LMHP30UU	6	30		45		64	10	74	51	10	49	35	6.6 × 11 × 6.1		1570	2740	388

Part No **LMHP-L**

Two Side Cut Pilot End Flange Type

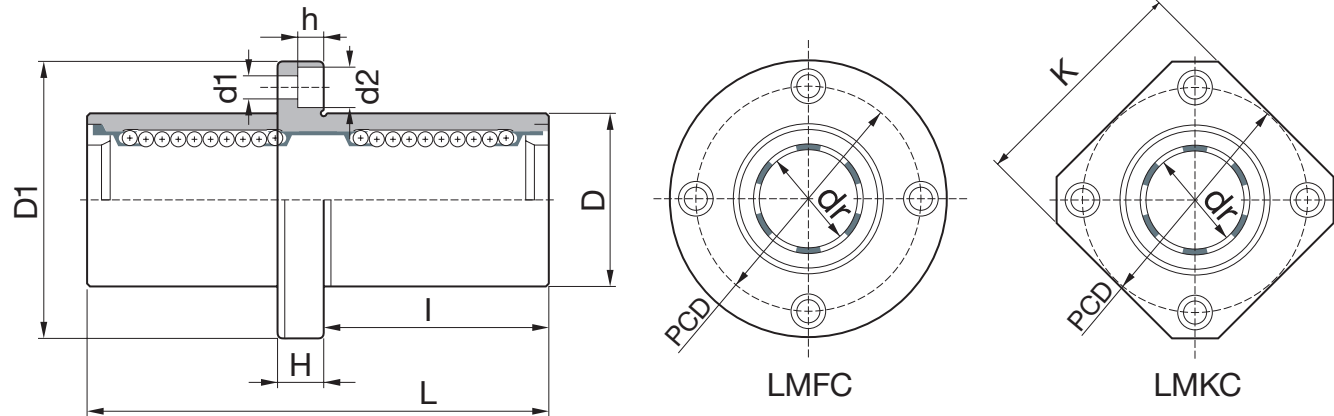
(Double-Wide Type)



PRODUCT NUMBER		MAIN DIMENSIONS												Eccentricity (max) μm	BASIC LOAD RATING		Weight (g)
Model	Ball circuits	dr mm	tolerance μm	D mm	tolerance μm	L ± 0.3 mm	I mm	D1 mm	W mm	H mm	A mm	F mm	d1 \times d2 \times h mm		C N	Co N	
LMHP6LUU	4	6	0 -10	12	0 -13	35	5	28	18	5	20	-	3.5 \times 6 \times 3.1	15	323	529	28
LMHP8LUU	4	8		15		45	5	32	21	5	24	-	3.5 \times 6 \times 3.1		431	784	47
LMHP10LUU	4	10		19	0 -16	55	6	40	25	6	29	-	4.5 \times 7.5 \times 4.1		588	1100	90
LMHP12LUU	4	12		21		58	6	42	27	6	32	-	4.5 \times 7.5 \times 4.1		813	1570	102
LMHP13LUU	4	13		23		61	6	43	29	6	33	-	4.5 \times 7.5 \times 4.1		813	1570	123
LMHP16LUU	5	16	28	70	6	48	34	6	31	22	4.5 \times 7.5 \times 4.1	1230	2350	182			
LMHP20LUU	5	20	0 -12	32	0 -19	80	8	54	38	8	36	24	5.5 \times 9 \times 5.1	20	1400	2740	247
LMHP25LUU	6	25		40		112	8	62	46	8	40	32	5.5 \times 9 \times 5.1		1560	3140	525
LMHP30LUU	6	30		45		123	10	74	51	10	49	35	6.6 \times 11 \times 6.1		2490	5490	645

Part No **LMFC/LMKC**

Center Mount Flange Type
(Double-Wide)

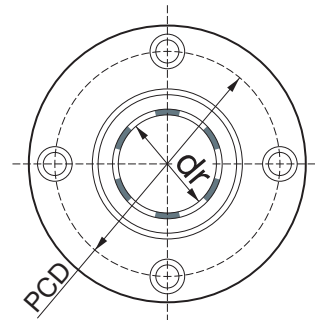
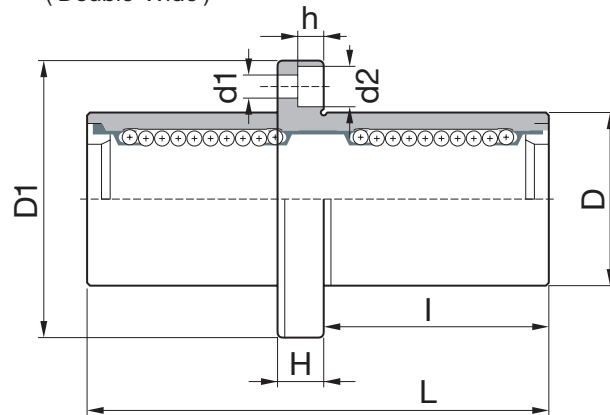


LMFC Center Mount Round Flange
LMKC Center Mount Square Flange

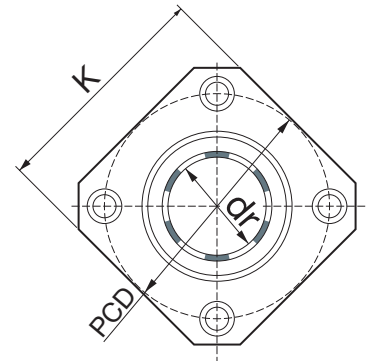
PRODUCT NUMBER		MAIN DIMENSIONS											Eccentricity (max) μm	BASIC LOAD RATING		Weight (g)	
Model	Ball circuits	dr mm	tolerance μm	D mm	tolerance μm	L ±0.3 mm	I mm	D1 mm	K mm	H mm	PCD mm	d1 × d2 × h mm		C N	Co N		
LMFC6UU	4	6	0 -10	12	0 -13	35	15	28	22	5	20	3.5 × 6 × 3.1	15	323	529	31	
LMKC6UU																	
LMFC8UU	4	8		15		45	20	32	25	5	24	3.5 × 6 × 3.1		431	784		51
LMKC8UU																	
LMFC10UU	4	10		19		55	24.5	40	30	6	29	4.5 × 7.5 × 4.1		588	1100		98
LMKC10UU																	
LMFC12UU	4	12		21		57	25.5	42	32	6	32	4.5 × 7.5 × 4.1		813	1570		110
LMKC12UU																	
LMFC13UU	4	13		23		61	27.5	43	34	6	33	4.5 × 7.5 × 4.1		813	1570		130
LMKC13UU																	
LMFC16UU	5	16		28		70	32	48	37	6	38	4.5 × 7.5 × 4.1		1230	2350		190
LMKC16UU																	

Part No **LMFC/LMKC**

Center Mount Flange Type
(Double-Wide)



LMFC



LMKC



LMFC

Center Mount Round Flange

LMKC

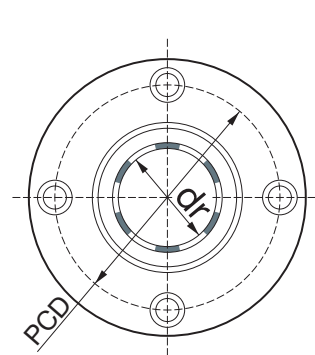
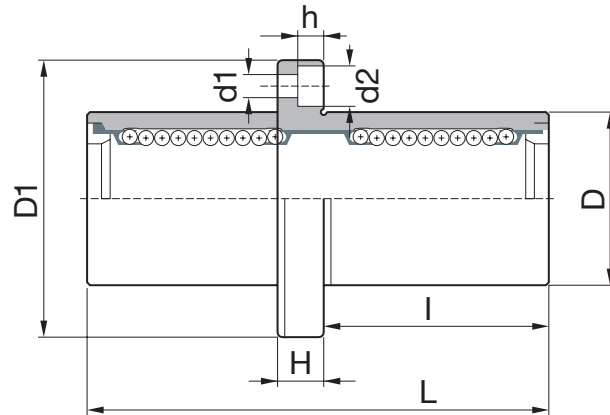
Center Mount Square Flange

PRODUCT NUMBER		MAIN DIMENSIONS											Eccentricity (max) μm	BASIC LOAD RATING		Weight (g)	
Model	Ball circuits	dr mm	tolerance μm	D mm	tolerance μm	L ±0.3 mm	I mm	D1 mm	K mm	H mm	PCD mm	d1 × d2 × h mm		C N	Co N		
LMFC20UU	5	20	0 -12	32	0 -19	80	36	54	42	8	43	5.5 × 9 × 5.1	20	1400	2740	260	
LMKC20UU																	
LMFC25UU	6	25	0 -12	40	0 -19	112	52	62	50	8	51	5.5 × 9 × 5.1		25	1560	3140	540
LMKC25UU																	
LMFC30UU	6	30	0 -12	45	0 -19	123	56.5	74	58	10	60	6.6 × 11 × 6.1			2490	5490	680
LMKC30UU																	
LMFC35UU	6	35	0 -12	52	0 -19	135	62.5	82	64	10	67	6.6 × 11 × 6.1	25	2650	6270	1020	
LMKC35UU																	
LMFC40UU	6	40	0 -15	60	0 -22	151	69	96	75	13	78	9 × 14 × 8.1		3430	8040	1570	
LMKC40UU																	
LMFC50UU	6	50	0 -15	80	0 -22	192	89.5	116	92	13	98	9 × 14 × 8.1	30	6080	15900	3600	
LMKC50UU																	
LMFC60UU	6	60	0 -20	90	0 -25	209	95.5	134	106	18	112	11 × 17 × 11.1		7550	20000	4500	
LMKC60UU																	

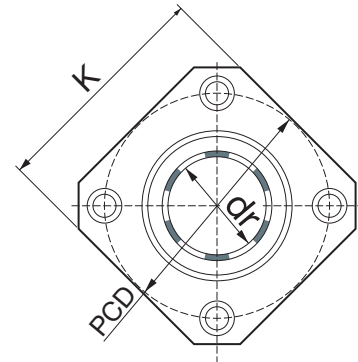
Part No **LMEFC/LMEFC**

Euro Metric

Center Mount Flange Type
(Double-Wide)



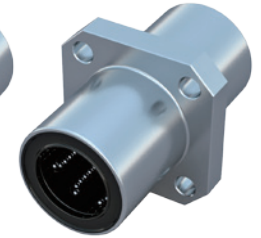
LMEFC



LMEKC



LMFC
Center Mount Round Flange



LMKC
Center Mount Square Flange

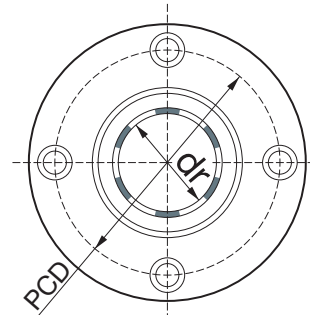
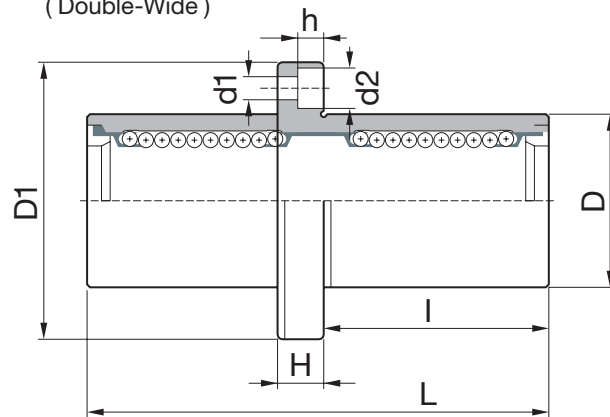
PRODUCT NUMBER		MAIN DIMENSIONS											Eccentricity (max) μm	BASIC LOAD RATING		Weight (g)		
Model	Ball circuits	dr mm	tolerance μm	D mm	tolerance μm	L ±0.3 mm	I mm	D1 mm	K mm	H mm	PCD mm	d1 × d2 × h mm		C N	Co N			
LMEFC8UU	4	8	+9 -1	16	0 -13	46	20.5	32	25	5	24	3.5 × 6 × 3.1	15	431	804	59		
LMEKC8UU				22	0 -19												61	27.5
LMEFC12UU	4	12	+11 -1	26	0 -19	68	31	46	35	6	36	4.5 × 7.5 × 4.1		921	1780		160	
LMEKC12UU				32	0 -19													80
LMEFC16UU	5	16	+11 -1	40	0 -19	112	52	62	50	8	51	5.5 × 9 × 5.1		17	1570		3140	540
LMEKC16UU				47	0 -19													
LMEFC20UU	5	20	+13 -2	62	0 -22	151	69	98	75	13	80	9 × 14 × 8.1	3430		8040	1805		
LMEKC20UU				75	0 -22												192	
LMEFC25UU	6	25	+13 -2	90	0 -25	209	95.5	134	106	18	112	11 × 17 × 11.1	25		7550	20000	4920	
LMEKC25UU				90	0 -25													
LMEFC30UU	6	30	+16 -4	75	0 -22	192	89.5	112	88	13	94	9 × 14 × 8.1		6080	15900	2820		
LMEKC30UU				90	0 -25													209
LMEFC40UU	6	40	+16 -4	90	0 -25	209	95.5	134	106	18	112	11 × 17 × 11.1		7550	20000	4920		
LMEKC40UU				90	0 -25													209
LMEFC50UU	6	50	+16 -4	90	0 -25	209	95.5	134	106	18	112	11 × 17 × 11.1	7550	20000	4920			
LMEKC50UU				90	0 -25											209	95.5	134
LMEFC60UU	6	60	+16 -4	90	0 -25	209	95.5	134	106	18	112	11 × 17 × 11.1	7550	20000	4920			
LMEKC60UU				90	0 -25											209	95.5	134

Part No **LMBFC/LMBKC**

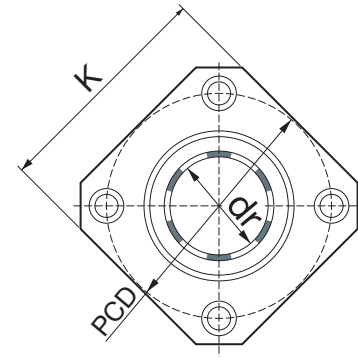
Inch Standard

Center Mount Flange Type

(Double-Wide)



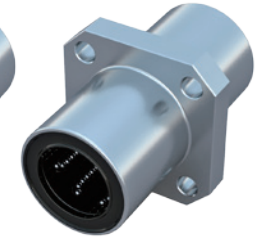
LMEFC



LMEKC



LMFC
Center Mount Round Flange



LMKC
Center Mount Square Flange

PRODUCT NUMBER		MAIN DIMENSIONS											Eccentricity (max) μm	BASIC LOAD RATING		Weight (g)	
Model	Ball circuits	dr inch/mm	tolerance μm	D inch/mm	tolerance μm	L inch/mm	I inch/mm	D1 inch/mm	K inch/mm	H inch/mm	PCD inch/mm	d1 × d2 × h inch/mm		C N	Co N		
LMBFC04LUU	3	1/4'	0 -10	0.5'	0 -13	1.375'	0.5781'	1.25'	1'	0.219'	0.875'	0.156' × 0.25' × 0.141'	15	323	530	40	
LMBKC04LUU		6.35		12.7		34.925	14.684	31.75	25.4	5.556	22.225	3.969 × 6.35 × 3.572		813	1570	126	
LMBFC06LUU	4	3/8'		0.625'	0 -16	1.5933'	0.6719'	1.5'	1.25'	0.25'	1.062'	0.1875' × 0.297' × 0.172'		20	353	630	60
LMBKC06LUU		9.525		15.875		40.481	17.066	38.1	31.75	6.35	26.988	4.763 × 7.541 × 4.366			1230	2350	215
LMBFC08LUU	4	1/2'		0.875'	0 -16	2.375'	1.0625'	1.75'	1.375'	0.25'	1.312'	0.1875' × 0.297' × 0.172'		25	813	1570	126
LMBKC08LUU		12.7		22.225		60.325	26.988	44.45	34.925	6.35	33.338	4.763 × 7.541 × 4.366			1370	2740	280
LMBFC10LUU	4	5/8'		1.125'	0 -19	2.8125'	1.2813'	2'	1.5'	0.25'	1.562'	0.1875' × 0.297' × 0.172'		30	1230	2350	215
LMBKC10LUU		15.875		28.575		71.438	32.544	50.8	38.1	6.35	39.688	4.763 × 7.541 × 4.366			1570	3140	515
LMBFC12LUU	4	3/4'		1.25'	0 -19	3.0937'	1.3905'	2.1875'	1.6875'	0.3125'	1.718'	0.2187' × 0.344' × 0.203'		30	1370	2740	280
LMBKC12LUU		19.05		31.75		78.581	35.322	55.563	42.863	7.938	43.656	5.556 × 8.731 × 5.159			1570	3140	515
LMBFC16LUU	5	1'	1.5625'	0 -22	4.2813'	1.9844'	2.5'	2'	0.3125'	2.031'	0.2187' × 0.344' × 0.203'	30	1570	3140	515		
LMBKC16LUU		25.4	39.688		108.744	50.403	63.5	50.8	7.938	51.594	5.556 × 8.731 × 5.159		2500	5490	1020		
LMBFC20LUU	5	1-1/4'	2'	0 -22	5'	2.3125'	3.125'	2.5'	0.375'	2.5625'	0.2187' 10.4C6' × 0.2656'	30	2500	5490	1020		
LMBKC20LUU		31.75	50.8		127.00	58.738	79.375	63.5	9.525	65.088	7.144 × 10.319 × 6.747		3430	8040	1630		
LMBFC24LUU	6	1-1/2'	2.375'	0 -15	5.6875'	2.5938'	3.75'	3'	0.5'	3.0625'	0.344' × 0.5' × 0.328'	30	3430	8040	1630		
LMBKC24LUU		38.1	60.325		144.463	65.882	95.25	76.2	12.7	77.788	8.731 × 12.7 × 8.334		6080	15900	2800		
LMBFC32LUU	6	2'	3'	0 -25	7.75'	3.625'	4.375'	3.5'	0.5'	3.6875'	0.344' × 0.5' × 0.328'	30	6080	15900	2800		
LMBKC32LUU		50.8	76.2		196.85	92.075	111.125	88.9	12.7	93.662	8.731 × 12.7 × 8.334						