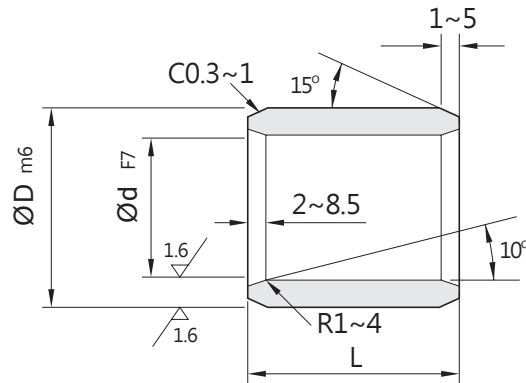
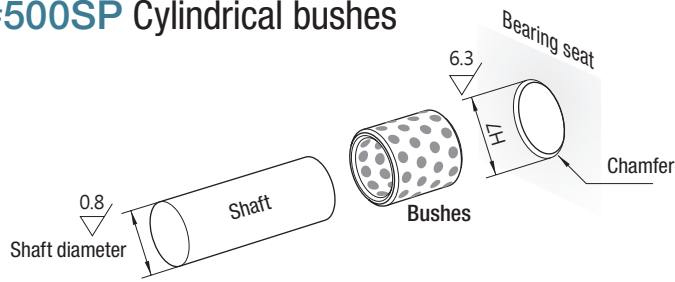


Self-lubricating Bearing

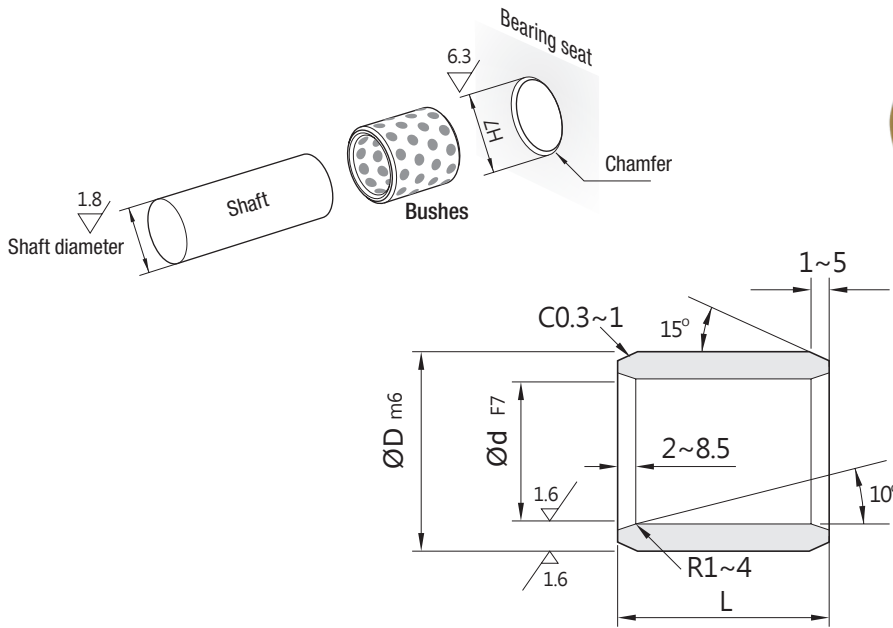
SPB #500SP Cylindrical bushes



Inside Dia.		Outside dia.		Length L															Inside dia. tolerance	Washer SPW			
ø d	tolerance	Ø D	tolerance	8	10	12	15	16	19	20	25	30	35	40	50	60	70	80					
6	+0.022 +0.010	10	+0.015 +0.006	061008	101610	061012													+0.019 +0.007	0603			
8	+0.028 +0.013	12	+0.018 +0.007	081208	081210	081212	081215												+0.025 +0.010	0803			
10		14		101408	101410	101412	101415				101420										1003		
12	+0.034 +0.016	18	+0.021 +0.008	121808	121810	121812	121815	121816	121819	121820	121825	121830							+0.031 +0.013	1203			
13		19			131910	131912	131915				131920	131925	131930									1303	
14		20			142010	142012	142015				142020	142025	142030										1403
15		21			152110	152112	152115	152116			152120	152125	152130	152135	152140						+0.030 +0.012		1503
16		22			162210	162212	162215	162216	162219	162220	162225	162230	162235	162240									1603
17		23					172315																1803*
18		24				182410	182412	182415	182416		182420	182425	182430	182435	182440								1803
19		26						192615			192620												2005*
20		28				202810	202812	202815	202816	202819	202820	202825	202830	202835	202840								2005
20		30				203010	203012	203015	203016		203020	203025	203030	203035	203040								2505*
22	32				223212	223215			223220	223225											2505*		
25	+0.041 +0.020	33	+0.025 +0.009		253312	253315	253316		253320	253325	253330	253335	253340						+0.037 +0.016		2505		
25	35			253512	253515	253516		253520	253525	253530	253535	253540										3005*	
28	38								283820	283825	283830		283840									3005*	
30	38				303812	303815			303820	303825	303830	303835	303840									3005	
30	40				304012	304015			304020	304025	304030	304035	304040									3505*	
31.5	+0.050 +0.025	40										314030	314040									3505*	
32		42								324220		324230	324240										3505*
35		44								354420	354425	354430	354435	354440									3505
35		45								354520	354525	354530	354535	354540									4007*
38		48												384840									4007*
40		50				405015			405020	405025	405030	405035	405040									4007	
40		55				405515					405530	455535	405540									4507*	
45		55	+0.030 +0.011								455530	455635	455540							+0.045 +0.020		4507	
45		56									455630	456035	445640									4507	
45		60									456030	456035	456040	450650	456060	456070	456080					4507	

Self-lubricating Bearing

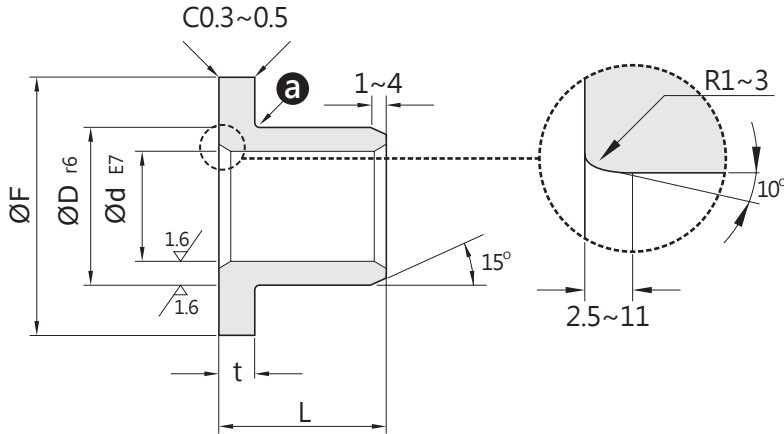
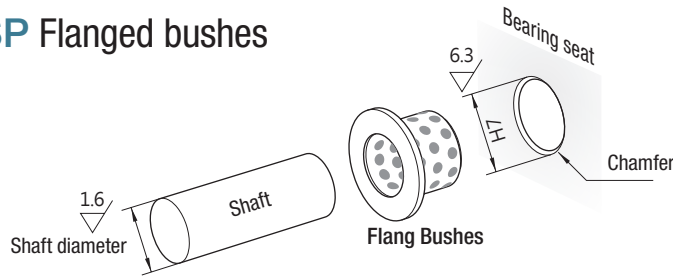
SPB #500SP Cylindrical bushes



Inside dia.		Outside dia.		Length L														Inside dia. tolerance	Washer SPW				
Ø d	tolerance	Ø D	tolerance	20	30	35	40	50	60	70	80	90	100	120	130	140	150			200			
50	+0.050 +0.025	60	+0.030 +0.011	506020	506030	506035	506040	506050	506060	506070	506080								+0.045 +0.020	5008			
50		62		506230	506235	506240	506250	506260	506270	506280											5008		
50		65		506530	506540	506550	506560	506570	506580	5065100											5008		
55	+0.060 +0.030	70		+0.035 +0.013	557030	557035	557040	557050	557060	557070										+0.055 +0.025	5508		
60		74			607430	607435	607440	607450	607460	607470	607480										6008		
60		75			607530	607535	607540	607550	607560	607570	607580	6075100										6008	
63		75							637560	637570	637580											6508*	
65		80					658040	658050	658060	658070	658080											6508	
70		85			708530	708535	708540	708550	708560	708570	708580	7085100										+0.054 +0.024	7010
70		90						709050	709060	709070	709080												7010
75		90					759050	759060	759070	759080	7590100										7510		
75		95						759560	759570	759580	7595100										7510		
80		96					809640	809650	809660	809670	809680	8096100	8096120								8010		
80	100				8010040	8010050	8010060	8010070	8010080	80100100	80100120		80100140					8010					
85	100						8510060		8510080									+0.065 +0.030	9010*				
90	110					9011050	9011060		9011080	9011090	90110100	90110120							9010				
100	120					10012050	10012060	10012070	10012080	10012090	100120100	100120120		120140140					10010				
110	130					11013050		11013070	11013080		110130100	110130120							+0.064 +0.029	12010*			
120	140							12014070	12014080	12014090	120140100	120140120		120140140						12010			
125	145											125145100	125145120						+0.040 +0.015	-			
130	150								13015080		130150100		130150130							+0.076 +0.036	12010		
140	160										140160100		140160140								12010		
150	170								15017080		150170100				150170150						12010		
160	180								16018080		160180100				160180150						12010		
170	190										170190100				170190150			12010					
180	200										180200100				180200150			12010					
190	210										190210100				190210150			+0.088 +0.042			12010		
200	230													200230150	200230200						12010		

Self-lubricating Bearing

SPF #500SP Flanged bushes



a Chamfered lower flange

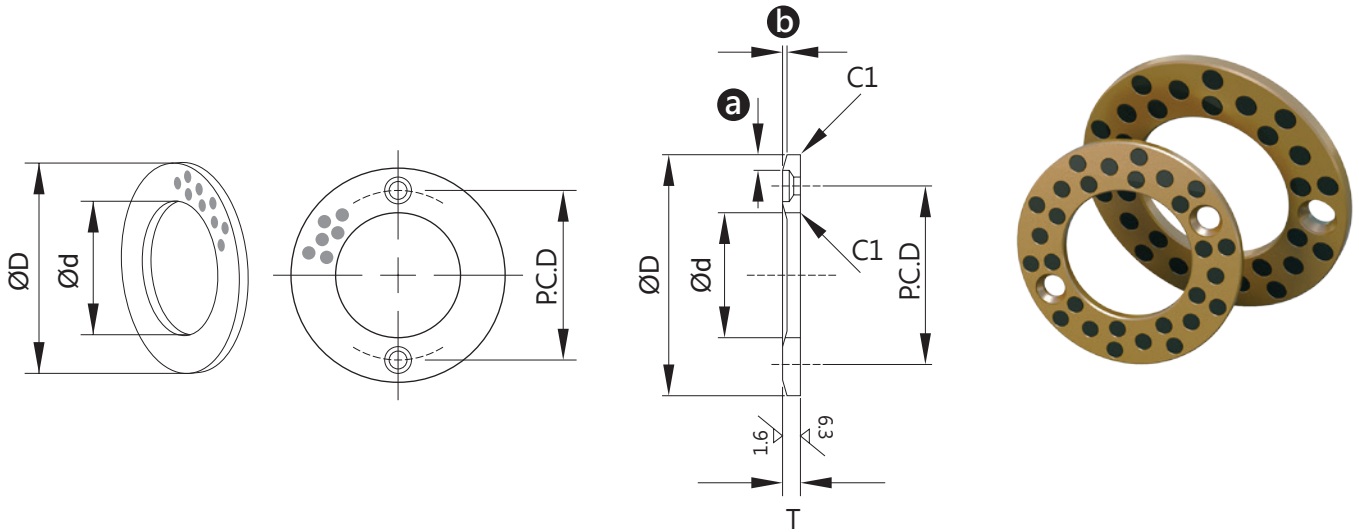
Ød	~16	~55	160
a	R0.3mm	R0.5mm	R1.0mm

Inside Dia.		Outside Dia.		Flanged Dia.		Length L														Inside dia. tolerance			
Ød	tolerance	ØD	tolerance	ØF	t	10	12	15	17	18	20	23	25	30	35	40	50	60	67.5		80	100	120
6	+0.032 +0.020	10	+0.028 +0.019	16	2	0 -0.1	0610	0612															+0.016 +0.004
8	+0.040 +0.025	12	+0.034 +0.023	20		081	0812	0815															
10	+0.050 +0.032	14		22		1010	1012	1015	1017		1020												
12		18	25		1210	1212	1215			1220	1225	1230											
13	+0.041 +0.028	19	26	3	1310	1312	1315			1320	1325	1330											
14		20	27					1415			1420	1425											
15	+0.061 +0.040	21	28	5	1510	1512	1515			1520	1525	1530											+0.046 +0.021
16		22	29				1612	1615	1618	1620	1623	1625	1630	1635	1640								
18	+0.075 +0.050	24	32	7.5			1815			1820	1825	1830	1835	1840									+0.040 +0.015
20		30	40					2015			2020	2025	2030	2035	2040								
25	+0.090 +0.060	35	45	10			2515			2520	2525	2530	2535	2540	2550								+0.060 +0.025
30		40	50								3020	3025	3030	3035	3040	3050							
31.5	+0.107 +0.072	40	50	10						3120		3130	3135	3140									+0.065 +0.025
35		45	60								3520	3525	3530	3535	3540	3550							
40	+0.125 +0.085	50	65	10						4020	4025	4030	4035	4040	4050								+0.068 +0.028
45		55	70										4530	4535	4540	4550	4560						
50	+0.093 +0.068	60	75	10								5030	5035	5040	5050	5060							+0.065 +0.025
55		65	80												5540	5560							
60	+0.076 +0.054	75	90	10										6040	6050	6060			6080				+0.068 +0.028
63		75	85																				
65	+0.073 +0.051	80	95	10														6560	6367				+0.065 +0.025
70		85	105															7050			7080		
75	+0.088 +0.063	90	110	10														7560					+0.052 +0.017
80		100	120																8060		8080	80100	
90	+0.090 +0.065	110	130	10														9060		9080			+0.068 +0.028
100		120	150																		10080	100100	
120	+0.099 +0.068	140	170	10																12080	120100		
130		150	180																			*13080	*130100
140	+0.107 +0.072	160	190	10																	*14080	*140100	
150		170	200																				
160	+0.093 +0.068	180	210	10																			+0.065 +0.025

Self-lubricating Bearing

SPW #500SP Thrust washers

(Can be used in conjunction with SPB)



a Outside / Inside chamfer

Ød	~10.2	~18.2	~35.2	~45.2	~55.3	~100.5	120.5
a	1.5mm	2.0mm	2.5mm	3.0mm	4.0mm	5.0mm	4.0mm

b Outside / Inside chamfer

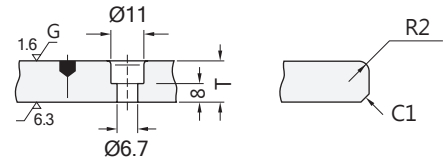
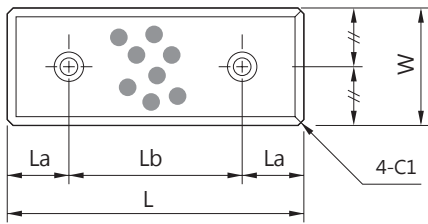
Ød	~10.2	~18.2	~35.2	~45.2	~55.3	~100.5	120.5
b	0.3mm	0.4mm	0.4mm	0.5mm	0.6mm	0.8mm	0.8mm

Parts No.	Inside Dia.		O.Dia.	Thickness		Mount holes		
	Ød	tolerance		ØD	T	tolerance	P.C.B	Qty
SWP- 0603	6.2	+0.2 -0.1	25	3	0 -0.1	15	2	M3
SWP- 0803	8.2		28					
SWP- 1003	10.2		30					
SWP- 1203	12.2		28					
SWP- 1203N	12.2		Headless bolt hole					
SWP- 1303	13.2		28			2	M3	
SWP- 1403	14.2		28					
SWP- 1503	15.2		35					
SWP- 1603	16.2		35					
SWP- 1603N	16.2		Headless bolt hole					
SWP- 1803	18.2		35			2	M3	
SWP- 2005	20.2		35					
SWP- 2505	25.2		40			2	M5	
SWP- 2505N	25.2		40					
SWP- 3005	30.2		Headless bolt hole					
SWP- 3005N	30.2		45			2	M5	
SWP- 3505	35.2	Headless bolt hole						
SWP- 4007	40.2	50	2	M5				
SWP- 4507	45.2	60						
SWP- 4507	45.2	70						

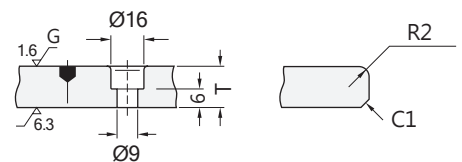
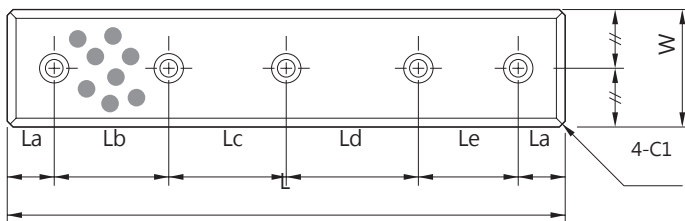
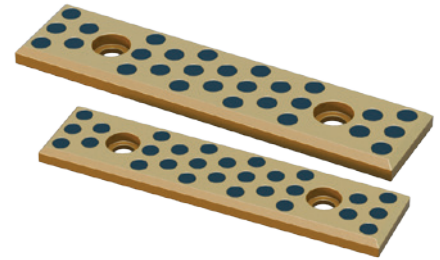
Parts No.	Inside Dia.		O.Dia.	Thickness		Mount holes		
	Ød	tolerance		ØD	T	tolerance	P.C.B	Qty
SWP- 5008	50.3	+0.3 -0.1	100	8	0 -0.1	75	4	M8
SWP- 5508	55.3		110					
SWP- 6008	60.3		120					
SWP- 6508	65.3		125					
SWP- 7010	70.3		130			10	4	M8
SWP- 7510	75.3		140					
SWP- 8010	80.3		150					
SWP- 9010	90.3		170					
SWP- 10010	100.3		190			10	4	M10
SWP- 12010	120.3		200					

Self-lubricating Bearing

SFP #500SP Sliding plates



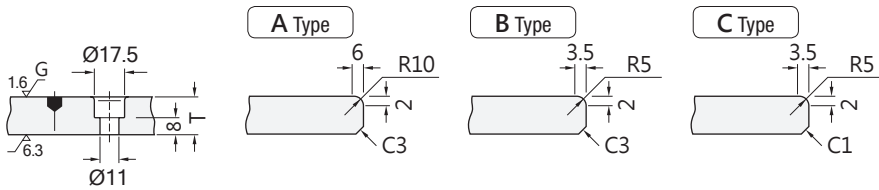
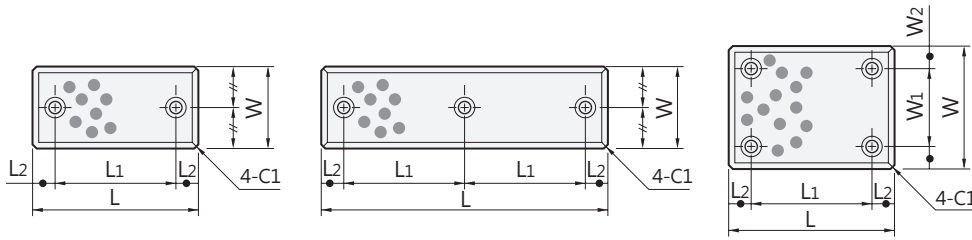
Parts No.	Width		Length		Thickness		Mount holes distance		Mount Blots	
	W	L	T	tolerance	La	Lb	Type	Qty		
SFP-1875	18	75	10	+0.04 +0.01	15	45	M6	Hexagon socket bolts	2	
SFP-18100		100				50				
SFP-18125		125			75					
SFP-18150		150			100					
SFP-2875	28	75			15	45				
SFP-28100		100			50					
SFP-28125		125			75					
SFP-28150		150			100					
SFP-3875	38	75			15	45				
SFP-38100		100			50					
SFP-38125		125			75					
SFP-38150		150			100					
SFP-4875	48	75			15	45				
SFP-48100		100			50					
SFP-48125		125			75					
SFP-48150		150			100					



Parts No.	Width		Length		Thickness		Mount holes distance					Mount Blots	
	W	L	T	tolerance	La	Lb	Lc	Ld	Le	Type	Qty		
SFP-35100	35	100	10	±0.025	20	60				M8	2		
SFP-35150		150				55	55		3				
SFP-35200		200					50	55	4				
SFP-35250		250				70	70	70	4				
SFP-35300		300				65	65	65	65		5		
SFP-35350		350				80	75	75	80		5		
SFP-50100	50	100				60				Flat head bolts	2		
SFP-50150		150				55	55		3				
SFP-50200		200					50	55	4				
SFP-50250		250				70	70	70	4				
SFP-50300		300				65	65	65	65		5		
SFP-50400		400				90	90	90	90		5		
SFP-75150	75	150				110				M8	4		
SFP-75200		200				80	80		6				
SFP-75250		250				105	105		6				
SFP-75300		300				85	90	85	8				
SFP-75400		400	120	120	120	8							
SFP-75500		500	115	115	115	115	10						

Self-lubricating Bearing

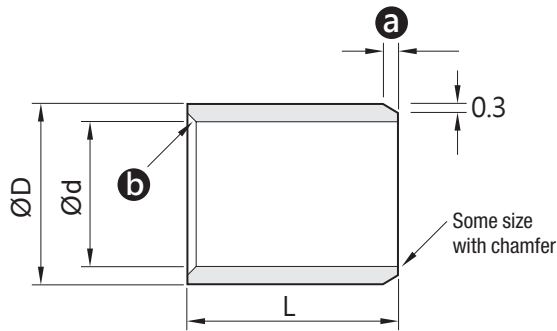
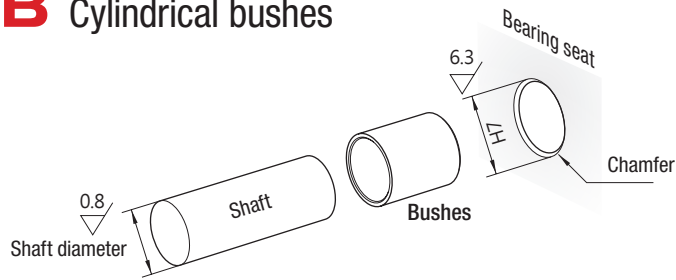
FWP #500SP Sliding plates



Parts No.	Width		Length		Thickness		Mount holes distance					Mount holes	Chamfer type						
	W	tolerance	L	tolerance	T	tolerance	W1	tolerance	W2	L1	tolerance			L2					
FWP-2875	28		75		20	±0.01	-	-	-	45	±0.2	15	C						
FWP-28100			100				-	-	-	50		25							
FWP-28125			125				-	-	-	75									
FWP-28150			150				-	-	-	100									
FWP-28200			200				-	-	-	150									
FWP-3875	38		75		20	±0.01	-	-	-	45	±0.2			15	C				
FWP-38100			100				-	-	-	50		25							
FWP-38125			125				-	-	-	75									
FWP-38150			150				-	-	-	100									
FWP-38200			200				-	-	-	150									
FWP-4875	48		75		20	±0.01	-	-	-	45	±0.2		15	B					
FWP-48100			100				-	-	-	50		25							
FWP-48125			125				-	-	-	75									
FWP-48150			150				-	-	-	100									
FWP-48200			200				-	-	-	100			50						
FWP-48200A	200	-	-	-	150	25	3												
FWP-48250	250	-	-	-	100	15	2												
FWP-5875	58	-0.1 -0.3	75	-0.1 -0.3	20	±0.01		-	-	-	45	±0.2	2						
FWP-58100			100					-	-	-	50								
FWP-58150			150					-	-	-	100								
FWP-7575B			75						75		20			±0.01	-	-	-	25	±0.2
FWP-75100B									100						-	-	-	50	
FWP-75125	125	-		-	-	75													
FWP-75150	150	-		-	-	100													
FWP-75200	200	-		-	-	150													
FWP-100100	100		100		20	±0.01		-	-	-	50	±0.2		25					
FWP-100125			125				-	-	-	75									
FWP-100150			150				50	±0.2	25	100									
FWP-100200			200				-		-	-	150								
FWP-100250			250				-		-	-	200								
FWP-125125	125		125		20	±0.01	75		±0.2	25	75	±0.2	4						
FWP-125125A			125				-			-	-				75				
FWP-125150			150				50	±0.2		3.75	100								
FWP-125200			200				-			-	-				150				
FWP-125250			250				-			-	-				200				
FWP-150150	150		150		20	±0.01	-		±0.2	25	100	±0.2							
FWP-150200			200				100			150									
FWP-150250			250				-	-		-	200								

Self-lubricating Bearing

80B Cylindrical bushes



a Outside chamfer

Ød	~6	~35	~50
a	--- mm	1.8mm	2.0mm

a Outside chamfer

Ød	~6	~35	~50
a	0.3mm	0.5mm	Note *1

(Note *1) 80B-0605 : 0.5 80B-0406 = 0.5

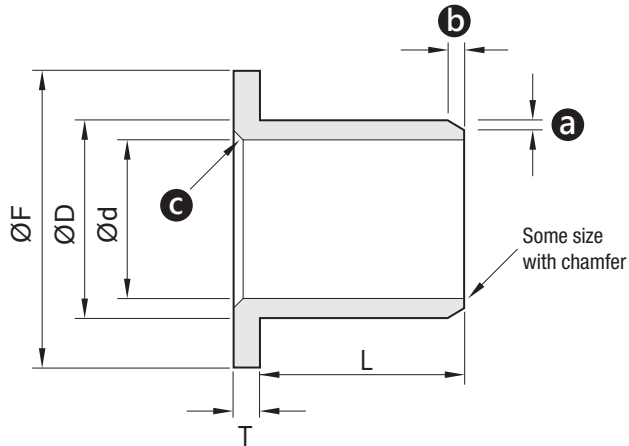
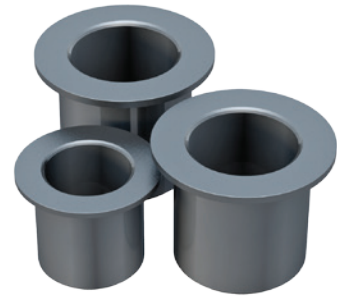
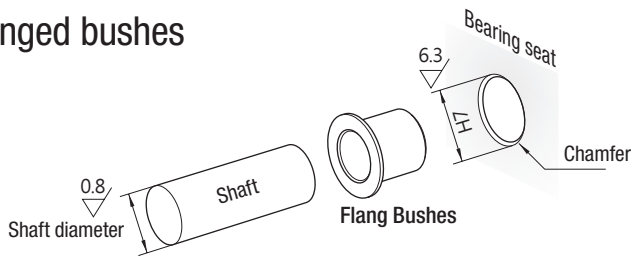
b Inner chamfer

Ød	~10	~35	~40	~50
c	C0.3mm	R0.4mm	R0.6mm	R0.8mm

Shaft diameter		Bearing seat H7		Inside Dia.		Outside Dia.		Length L															
Dia.	tolerance	Dia.	tolerance	Ød	tolerance	ØD	tolerance	2	3	4	5	6	8	10	12	15	20	25	30	40	50		
2	$\begin{matrix} 0 \\ -0.010 \end{matrix}$	4	$\begin{matrix} +0.012 \\ 0 \end{matrix}$	2	$\begin{matrix} +0.065 \\ +0.015 \end{matrix}$	4		0202	0203	0204													
3		5	$\begin{matrix} +0.012 \\ 0 \end{matrix}$	3	$\begin{matrix} +0.080 \\ +0.030 \end{matrix}$	5	$\begin{matrix} +0.107 \\ +0.032 \end{matrix}$		0303	0304	0305	0306											
4		6		4		6			0403	0404	0405	0406											
5	$\begin{matrix} 0 \\ -0.012 \end{matrix}$	7		5	$\begin{matrix} +0.095 \\ +0.045 \end{matrix}$	7			0503	0504	0505	0506	0508										
6		8	$\begin{matrix} +0.015 \\ 0 \end{matrix}$	6		8	$\begin{matrix} +0.157 \\ +0.045 \end{matrix}$			0604	0605	0606	0608	0610									
7		9		7		9					0705	0706	0708	0710									
8	$\begin{matrix} 0 \\ -0.015 \end{matrix}$	10		8		10					0805	0806	0808	0810	0812	0815							
9		11		9		11					0905	0906		0910	0912	0915							
10		12		10		12					1005	1006	1008	1010	1012	1015	1020						
12		14	$\begin{matrix} +0.018 \\ 0 \end{matrix}$	12	$\begin{matrix} +0.120 \\ +0.060 \end{matrix}$	14	$\begin{matrix} +0.193 \\ +0.058 \end{matrix}$				1206	1208	1210	1212	1215	1220							
14		16		14		16								1410	1412	1415	1420						
15	$\begin{matrix} 0 \\ -0.018 \end{matrix}$	17		15		17								1510	1512	1515	1520	1525					
16		18		16		18								1610	1612	1615	1620	1625					
18		20		18		20	$\begin{matrix} +0.221 \\ +0.071 \end{matrix}$							1810	1812	1815	1820	1825					
20		23		20		23										2015	2020	2025					
22		25	$\begin{matrix} +0.021 \\ 0 \end{matrix}$	22	$\begin{matrix} +0.145 \\ +0.075 \end{matrix}$	25											2220						
24		27		24		27	$\begin{matrix} +0.231 \\ +0.081 \end{matrix}$										2415	2420	2425				
25	$\begin{matrix} 0 \\ -0.021 \end{matrix}$	28		25		28										2515	2520	2525					
28		32		28	$\begin{matrix} +0.170 \\ +0.090 \end{matrix}$	32											2820	2825					
30		34		30		34	$\begin{matrix} +0.290 \\ +0.095 \end{matrix}$										3020	3025	3030	3040			
32		36		32		36											3220		3230	3240			
35		39	$\begin{matrix} +0.025 \\ 0 \end{matrix}$	35	$\begin{matrix} +0.215 \\ +0.115 \end{matrix}$	39											3520	3525	3530	3540			
38		42		38		42											3820		3830	3840			
40	$\begin{matrix} 0 \\ -0.025 \end{matrix}$	44		40		44	$\begin{matrix} +0.340 \\ +0.115 \end{matrix}$										4020		4030	4040	4050		
45		50		45		50											4520		4530	4540	4550		
50		55	$\begin{matrix} +0.030 \\ 0 \end{matrix}$	50	$\begin{matrix} +0.235 \\ +0.135 \end{matrix}$	55	$\begin{matrix} +0.430 \\ +0.130 \end{matrix}$										5020		5030	5040	5050		

Self-lubricating Bearing

80F Flanged bushes



a b Outside chamfer

Ød	2	~35	~50
a	0.5mm	0.8mm	1.0mm
b	Note *1	1mm	2mm

(Note *1) L 2mm : 0.3 L 3/4mm : 0.5

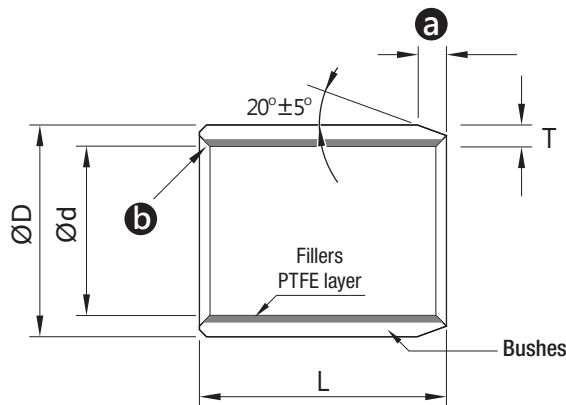
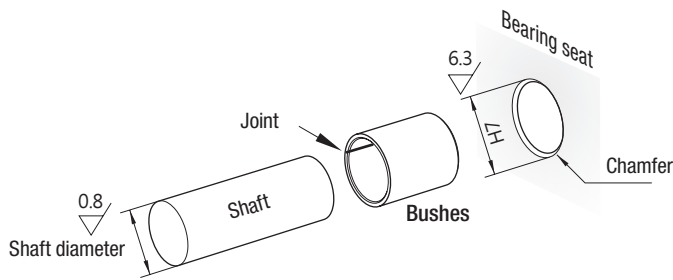
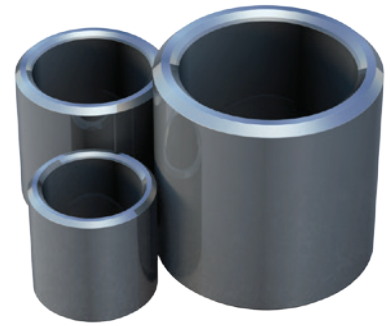
c Inner chamfer

Ød	~10	~35	~40	~50
c	C0.3mm	R0.4mm	R0.6mm	R0.8mm

Inside Dia.		Outside dia.		Flanged dia.			Length L																			
Ød	tolerance	ØD	tolerance	ØF	T	tolerance	2	3	4	5	6	7	8	10	12	15	20	25	30	40	50					
2	+0.065 +0.015	4		6	1	0 -0.10	0202	0203	0204																	
3	+0.080 +0.030	5	+0.107 +0.032	8						0303	0304	0305	0306													
4	+0.095 +0.045	6	+0.157 +0.045	9						0403	0404	0405	0406													
5		7								0503	0504	0505	0506	0507												
6		8									0603		0605	0606		0608	0610									
7		9		13						0703		0705		0707		0710										
8	+0.120 +0.060	10	+0.193 +0.058	15						0803		0805	0806		0808	0810	0812	0815								
9		11									0903		0905	0906			0910	0912	0915							
10		12										1003		1005	1006		1010	1012	1015	1020						
12		14													1206		1210	1212	1215	1220						
14		16															1410	1412	1415	1420						
15		17																1510	1512	1515	1520	1525	1530			
16		18																1610	1612	1615	1620	1625	1630			
18		20																1810	1812	1815	1820	1825	1830			
20		+0.145 +0.075		23			+0.221 +0.071	31	1.5	0 -0.15								2010	2012	2015	2020	2025	2030			
22				25			+0.231 +0.081	33												2210		2215	2220	2225	2230	
25	+0.170 +0.090	28		36														2510	2512	2515	2520	2525	2530			
30		34		42														3010	3012		3020	3025	3030	3040		
32	+0.215 +0.115	36		46																3220	3225	3230	3240			
35		39		49												3510	3512		3520	3525	3530	3540				
38		42		52																3820		3830	3840			
40		44	+0.340 +0.115	54															4012	4020	4025	4030	4040	4050		
45	+0.235 +0.135	50		60	2.5														4520	4525	4530	4540	4550			
50		55	+0.430 +0.130	65																	5020		5030	5040	5050	

Self-lubricating Bearing

LFB Cylindrical bushes



a Outside chamfer (Ø10 Inside above)

T	2.0	2.5
a	1.0mm	1.0mm

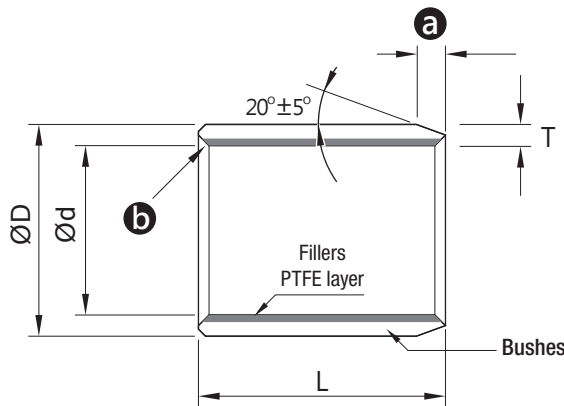
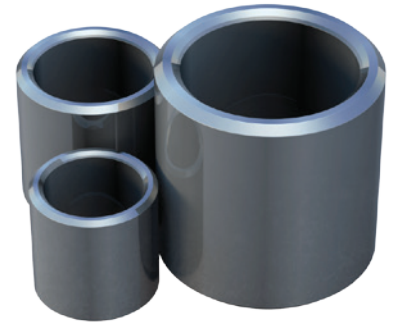
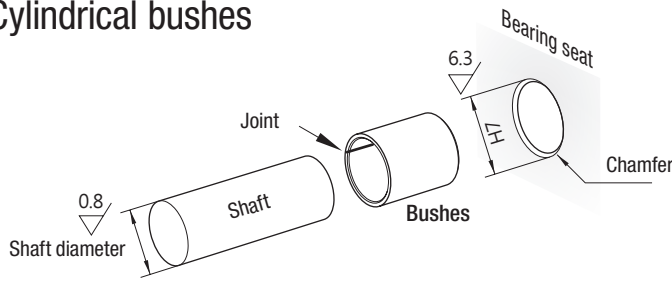
b Outside chamfer (Ø10 Inside above)

T	2.0	2.5
b	C0.5mm	C0.5mm

Shaft dia.		Bearing H7		I.dia.		Outside dia.		Thickness		Length L											Inside dia. tolerance						
Dia.	tolerance	Dia.	tolerance	ød	øD	tolerance	T1	tolerance	3	4	5	6	7	8	10	12	14	15	16	20		25	30	35			
3	-0.025 -0.034	5	+0.012 0	3	5	+0.047 +0.017	1.0	0 -0.025	0303	0304	0305	0306													+0.062 0		
4		6		4	6				0403	0404	0405	0406			0408												
5	-0.025 -0.037	7		5	7				0503	0504	0505	0506			0508												
6		8	+0.015 0	6	8	+0.055 +0.025			0603	0604	0605	0606	0607	0608	0610	0612											+0.065 0
7		9		7	9						0705	0706	0707	0708	0710	0712											
8	-0.025 -0.040	10		8	10						0805	0806	0807	0808	0810	0812			0815								
9		11		9	11							0906			0910												
10		12		10	12	+0.060 +0.030						1006	1007	1008	1010	1012			1015			1020					
12		14	+0.018 0	12	14							1206		1208	1210	1212			1215			1220					+0.068 0
13		15		13	15									1308	1310	1312			1315			1320					
14		16		14	16	+0.066 +0.035						1408	1410	1412	1414	1415	1416	1420									
15	-0.025 -0.043	17		15	17							1508	1510	1512			1515			1520	1525						
16		18		16	18	+0.070 +0.035								1610	1612		1615			1620	1625						
17		19		17	19									1710			1715								+0.071 0		
18		20		18	20	+0.075 +0.040								1810	1812		1815			1820	1825	1830					
19		22		19	22									1910			1915			1920							
20		23	+0.021 0	20	23		1.5	0 -0.003						2010	2012		2015			2020	2025	2030				+0.081 0	
22		25		22	25	+0.080 +0.045										2210	2212		2215			2220	2225	2230			
24	-0.025 -0.046	27		24	27														2415			2420	2425	2430			
25		28		25	28	+0.085 +0.050										2510	2512		2515			2520	2525	2530	2535		
26		30		26	30														2615			2620	2625	2630			
28		32	+0.025 0	28	32	+0.090 +0.050			2.0										2812			2815		2820	2825	2830	

Self-lubricating Bearing

LFB Cylindrical bushes



a Outside chamfer (Ø10 Inside above)

T	2.0	2.5
a	1.0mm	1.0mm

b Outside chamfer (Ø10 Inside above)

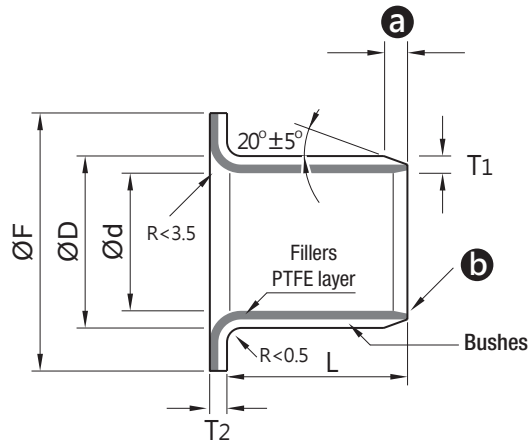
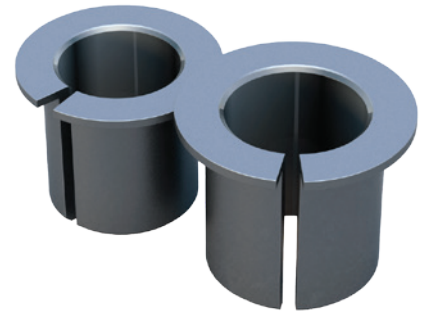
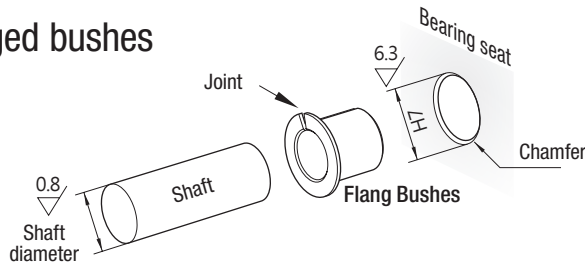
T	2.0	2.5
b	C0.5mm	C0.5mm

Shaft dia.		Bearing H7		O.dia.		Outside dia.		Thickness		Length L											Inside dia. tolerance							
Dia.	tolerance	Dia.	tolerance	Ø d	Ø D	tolerance	T	tolerance	12	15	20	25	30	35	40	50	60	70	80	90	95	100						
30	-0.025 -0.046	34	+0.025 0	30	34	+0.090 +0.050	2.0	0 -0.030	3012	3015	3020	3025	3030	3035	3040	3050								+0.085 0				
31	-0.025 -0.050	35		31	35				3115		3125	3130		3140														
32		36		32	36				3215	3220	3225	3230		3240														
35		39		35	39				3512		3520	3525	3530	3535	3540	3550												
38		42		38	42				3812		3820	3825	3830	3835	3840													
40		44		40	44				4012	4015	4020	4025	4030	4035	4040	4050												
45		-0.025 -0.055	50	+0.030 0	45	50	+0.100 +0.060	2.5	0 -0.040			4520	4525	4530	4535	4540	4550							+0.105 0				
50	55		50		55						5020	5025	5030	5035	5040	5050	5060											
55	60		55		60						5525	5530	5535	5540	5550	5560											+0.110 0	
60	65		60		65						6030	6035	6040	6050	6060		6080											
65	+0.035 +0.005		70		+0.035 0	65				70	+0.110 +0.065	2.5	-0.030 -0.080				6530		6540	6550	6560							
70			75			70				75							7030	7035	7040	7050	7060	7070	7080					
75		80	75	80						7530				7535	7540	7550	7560		7580									
80		85	80	85													8040	8050	8060		8080							+0.190 +0.060
85		90	85	90													8540	8550	8560		8580							
90		95	90	95														9040	9050	9060				9090				
100	+0.035 0	105	+0.040 0	100	105	+0.130 +0.075	2.5	-0.030 -0.080							10050		10070	10050		10095	100100							
110		115		110	115													11050		11070			11095	110100				
120		125		120	125														12050		12070			12095	120100			
130		135		130	135															13050			13080			130100		
140		+0.035 -0.005		145	+0.040 0				140	145	+0.145 +0.090	2.5	-0.030 -0.080								14050			14080			140100	+0.200 +0.060
150				155					150	155															15050		15080	
160	165		160	165																			16080			160100		

Self-lubricating Bearing

LFF Flanged bushes

DRYMET LF



a Outside chamfer (Ø10 Inside above)

T1	1.0	1.5	2.0	2.5
a	0.5mm	0.8mm	1.0mm	1.0mm

b Outside chamfer (Ø10 Inside above)

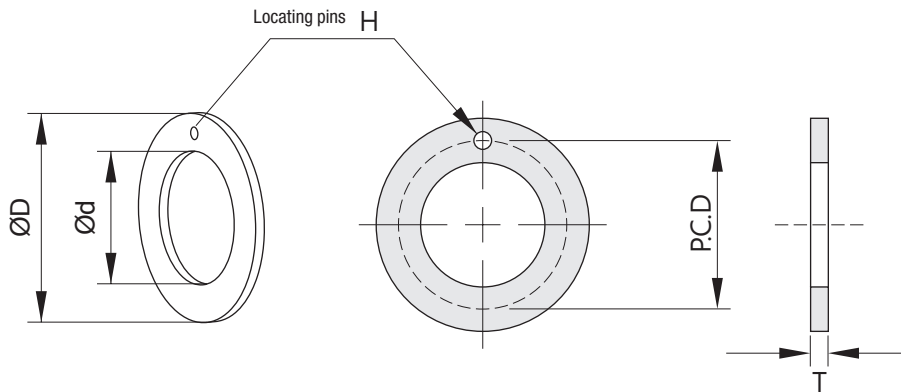
T1	1.0	1.5	2.0	2.5
b	C0.3mm	C0.5mm	C0.5mm	C0.5mm

Shaft dia.		Bearing H7		I.dia.	O.dia.	Flanged dia.			Thickness		Length L														Inside dia. tolerance				
Dia.	tolerance	Dia.	tolerance	Ød	ØD	ØF	tolerance	T2	tolerance	T1	tolerance	3	4	5	6	7	8	10	12	15	20	25	30	40					
3	-0.025 -0.034	4.6	+0.012 +0	3	4.6	7				0.8		0.8														+0.062 0			
4		5.6		4	5.6	9				1.0	1.0																		
5		7		5	7	10																							
6		8	+0.015 +0	6	8	12																							
7	-0.025 -0.037	9		7	9	13																							+0.065 0
8		10		8	10	15																							
9		11		9	11	16																							
10		12		10	12	18																							
12		14		12	14	20																							
13		15	+0.018 +0	13	15	21																							+0.068 0
14	-0.025 -0.043	16		14	16	22																							
15		17		15	17	23																							
16		18		16	18	24																							
18		20		18	20	26																					+0.071 0		
20		23		20	23	31																							
22		25	+0.021 +0	22	25	33																							
24		27		24	27	35																							
25	-0.025 -0.046	28		25	28	36																							
26		30		26	30	38																							
28		32		28	32	40																							
30		34		30	34	42																							
31		35		31	35	45																							
32		36	+0.025 +0	32	36	46																							
35		39		35	39	49																							
38	-0.025 -0.050	42		38	42	52																							
40		44		40	44	54																							
45		50		45	50	60																							
50		55		50	55	65																							
55	-0.025 -0.055	60	+0.030 +0	55	60	70																					+0.105 0		
60		65		60	65	75																					+0.110 0		

Self-lubricating Bearing

LFW Thrust washers

DRYMET LF



Parts No.	Inside Dia.		Outside dia.		Thickness		Locating pins		Locating pins position	
	Ød	tolerance	ØD	tolerance	T	tolerance	H	tolerance	P.C.D	tolerance
LFW- 0815	8	+0.25 0	16	0 -0.25	1.5	-0.03 -0.08	1	+0.30 +0.10	12	±0.12
LFW- 1015	10		18				1		14	
LFW- 1215	12		24				1.5	18		
LFW- 1415	14		26				2	20		
LFW- 1615	16		30				2	23		
LFW- 1815	18		32				2	25		
LFW- 2015	20		36				3	28		
LFW- 2215	22		38				3	30		
LFW- 2415	24		42				3	33		
LFW- 2615	26		44				3	35		
LFW- 2815	28		48				4	38		
LFW- 3215	32		54				4	43		
LFW- 3815	38		62				4	50		
LFW- 4215	42		66				4	54		
LFW- 4815	48		74		4	61				
LFW- 5215	52		78		2.0	4	65			