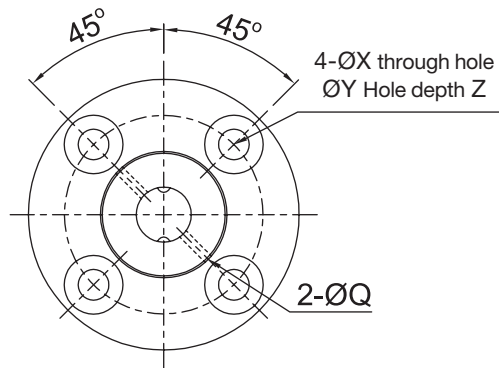
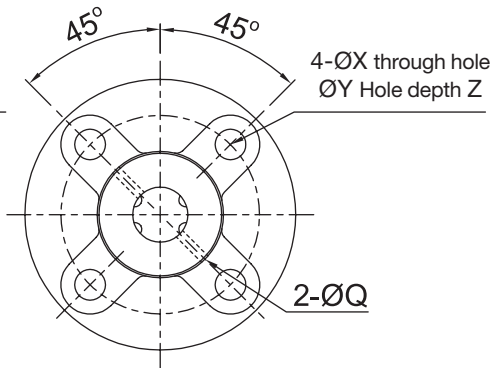


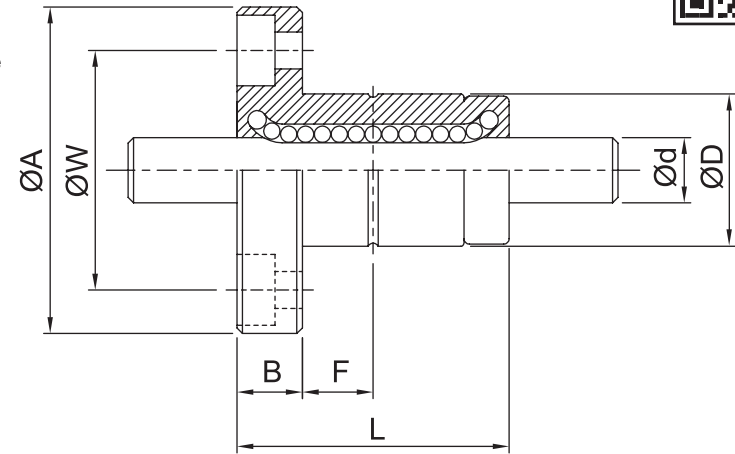
# SLF Ball Spline



Two row  
Shaft diameter  $d \leq 20$

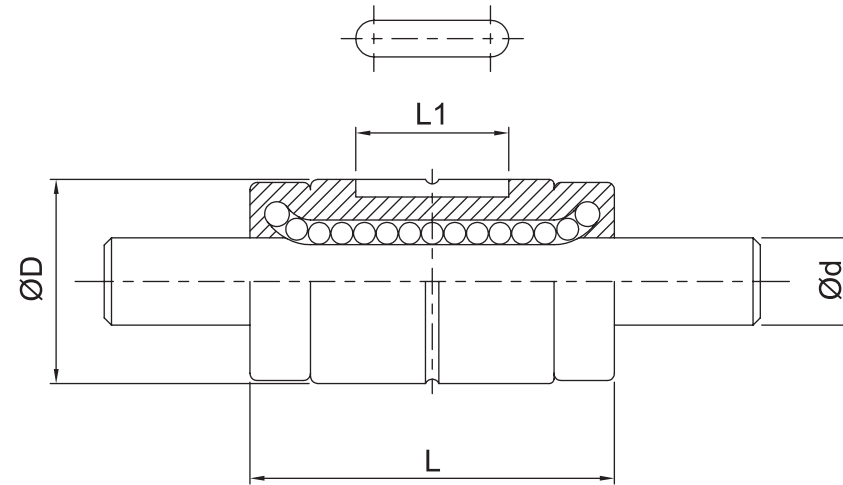
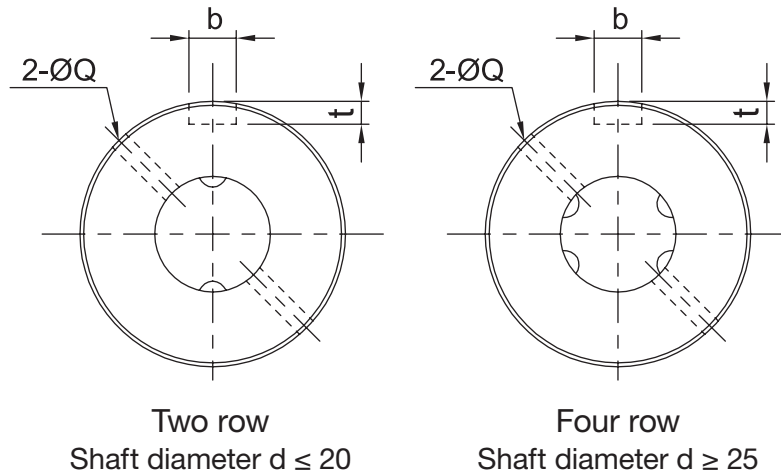


Four row  
Shaft diameter  $d \geq 25$



Model No	Spline Nut Dimension								Diameter d h7	Row	Basic Load Rating		Basic Torsion		Static Permissible Moment		Mass	
	D	L	A	B	F	Oil Q	W	Mounting Hole X x Y x Z			C kgf	C <sub>0</sub> kgf	C <sub>T</sub> kgf·m	C <sub>0T</sub> kgf·m	M <sub>A1</sub> kgf·m	M <sub>A2</sub> kgf·m	Spline Nut g	Spline Shaft kg/m
SLF 6	14	25	30	8	7.5	1	22	3.4 x 6.5 x 4.5	6	2	137	225	0.46	0.76	0.44	3.39	36.7	0.04
SLF 8	16	27	32	8	7.5	1.5	24	3.4 x 6.5 x 4.5	8	2	137	225	0.60	0.99	0.44	3.39	47	0.39
SLF 10	21	33	42	9	10.5	1.5	32	4.5 x 8.0 x 4.0	10	2	288	397	1.63	2.25	0.95	8.12	100	0.60
SLF 13	24	36	44	9	11	1.5	33	4.5 x 8.0 x 4.5	13	2	399	540	2.91	3.94	1.50	11.93	117	1.03
SLF 16	31	50	51	10	18	2	40	4.5 x 8.0 x 6.0	16	2	799	1241	6.36	11.14	5.42	37.25	222	1.55
SLF 20	35	56	58	10	18	2	45	5.5 x 9.5 x 5.4	20	2	1064	1621	10.54	18.13	8.09	54.06	297	2.43
SLF 25	42	71	65	13	26.5	3	52	5.5 x 9.5 x 8.0	25	4	1714	2534	21.33	35.62	15.80	107.10	454	3.80
SLF 30	47	80	75	13	30	3	60	6.6 x 11 x 8.0	30	4	2025	3225	29.90	53.77	25.60	151.80	646	5.50
SLF 40	64	100	100	18	36	4	82	9.0 x 14 x 12	40	4	4360	5896	86.46	132.04	53.49	352.58	1446	9.73
SLF 50	80	125	124	20	46.5	4	102	11 x 17.5 x 12	50	4	6006	8209	147.87	228.26	89.96	607.95	2785	15.24

# SLT Ball Spline



Model No	Spline Nut Dimension				Keyway Dimensions		Diameter d h7	Row	Basic Load Rating		Basic Torsion		Static Permissible Moment		Mass	
	D	L	L1	Oil Q	b H8	t +0.05 0			C kgf	C <sub>0</sub> kgf	C <sub>T</sub> kgf·m	C <sub>0T</sub> kgf·m	M <sub>A1</sub> kgf·m	M <sub>A2</sub> kgf·m	Spline Nut g	Spline Shaft kg/m
SLT 6	14	25	10.5	1	2.5	1.2	6	2	137	225	0.46	0.76	0.44	3.39	14	0.04
SLT 8	16	27	10.5	1.5	2.5	1.2	8	2	137	225	0.60	0.99	0.44	3.39	16	0.39
SLT 10	21	33	13	1.5	3	1.5	10	2	288	397	1.63	2.25	0.95	8.12	37	0.60
SLT 13	24	36	15	1.5	3	1.5	13	2	399	540	2.91	3.94	1.50	11.93	52	1.03
SLT 16	31	50	17.5	2	3.5	2.0	16	2	799	1241	6.36	11.14	5.42	37.25	134	1.55
SLT 20	35	56	29	2	4	2.5	20	2	1064	1621	10.54	18.13	8.09	54.06	182	2.43
SLT 25	42	71	36	3	4	2.5	25	4	1714	2534	21.33	35.62	15.80	107.10	281	3.80
SLT 30	47	80	42	3	4	2.5	30	4	2025	3225	29.90	53.77	25.60	151.80	407	5.50
SLT 40	64	100	52	4	6	3.5	40	4	4360	5896	86.46	132.04	53.49	352.58	858	9.73
SLT 50	80	125	58	4	8	4.0	50	4	6006	8209	147.87	228.26	89.96	607.95	1787	15.24